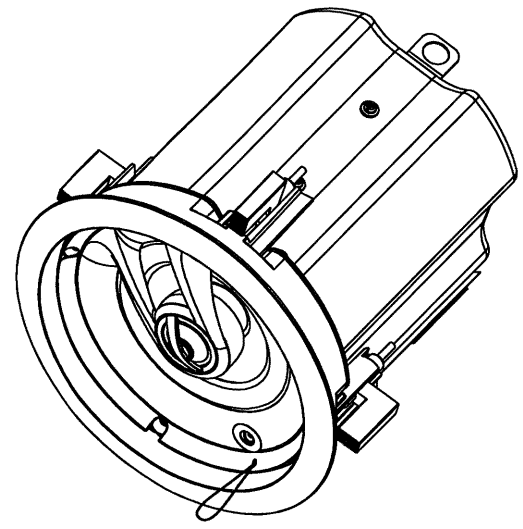
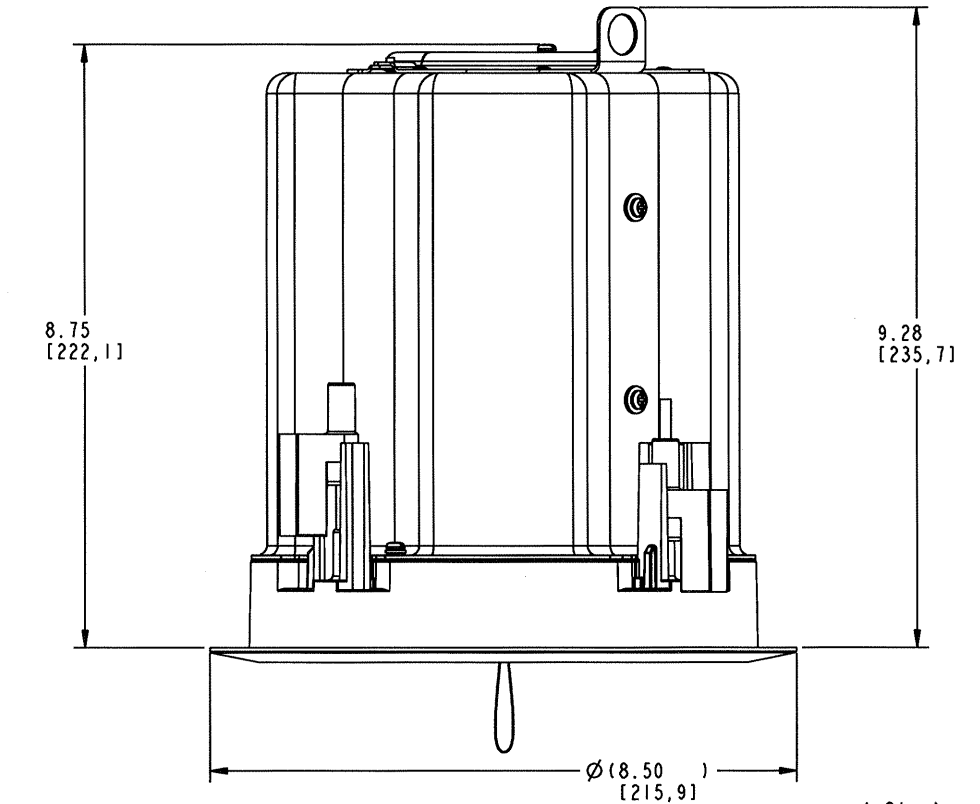
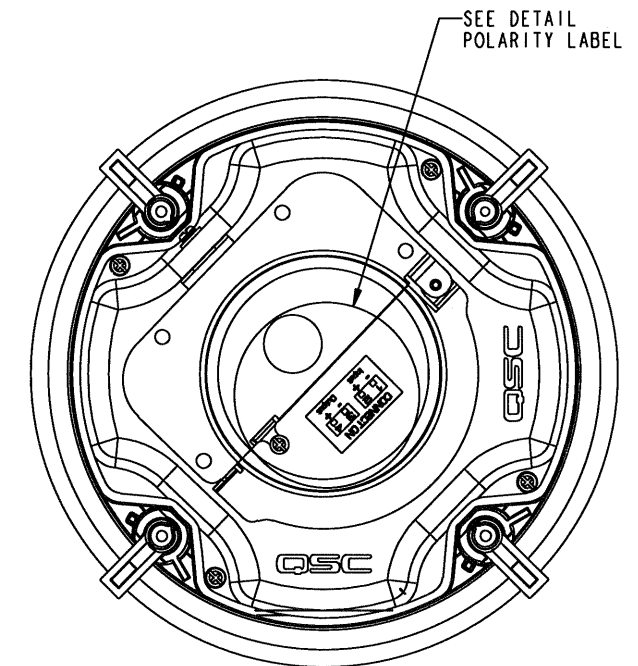
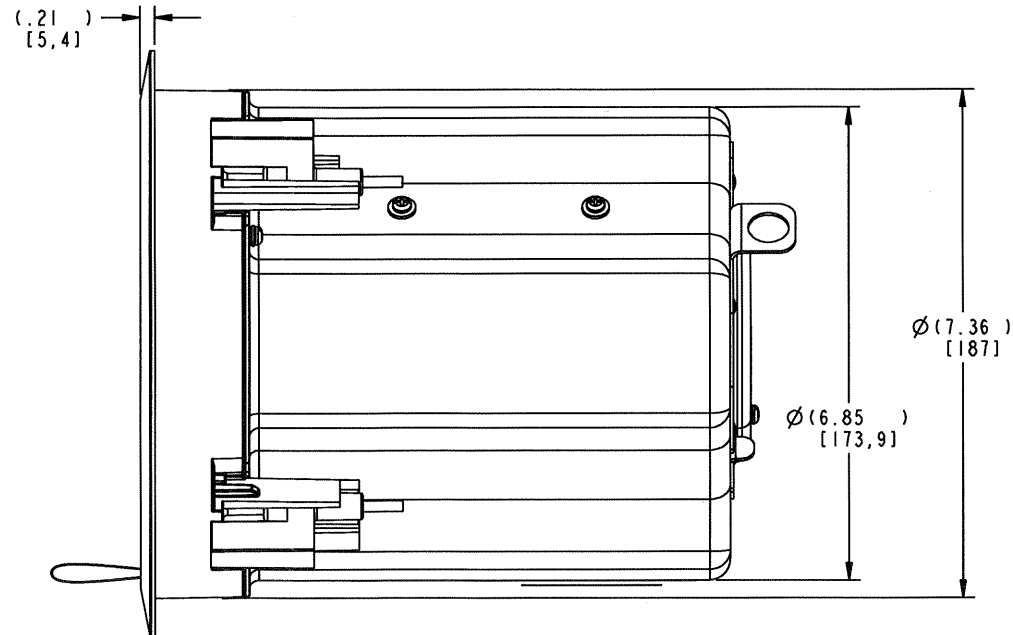
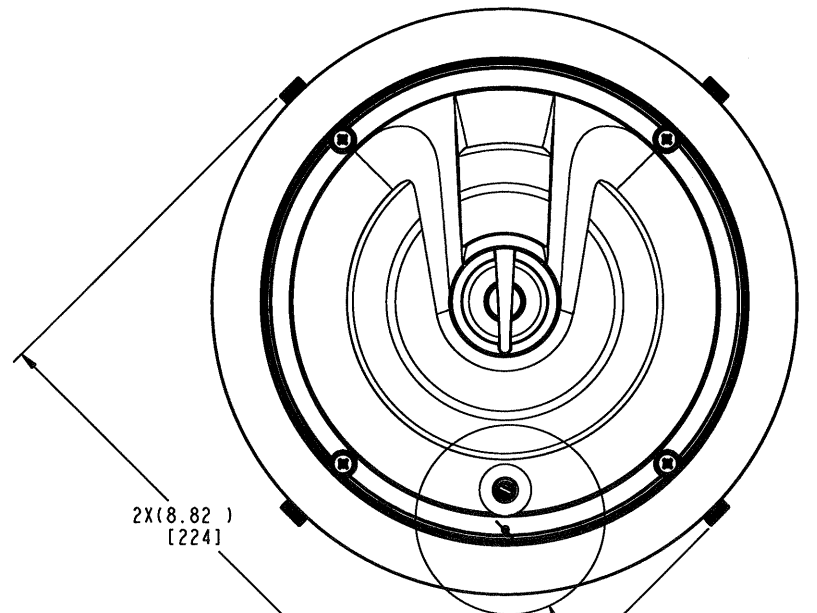


THIS DOCUMENT CONTAINS PROPRIETARY INFORMATION WHICH IS THE PROPERTY OF QSC AUDIO PRODUCTS, THAT MAY NOT BE DISCLOSED, REPRODUCED OR USED WITHOUT EXPRESS WRITTEN CONSENT FROM QSC AUDIO PRODUCTS.

REVISIONS				
REV	DESCRIPTION	EFF DATE	CHK	APPROVED DATE
1	RELEASE FOR QUOTE	01-05-05		
2	REVISED HARDWARE			
3	REVISED HARDWARE			
A	PROD. RELEASE PER ECO 6753 MP	8-26-05	SE	DD



SCALE 0.500



- 6. MAXIMUM ALLOWABLE GAP BETWEEN GRILLE AND BUCKET: 0.03 INCH.
- 5. TEXTURE AND FINISH: 3A, PER COSMETIC SPEC RD-000122-00.
- 4. COLOR: WHITE PER RD-000121-00.
- 3. REFERENCE QSC DRIVER SPECIFICATION, WOOFER: SP-000059-00 AND TWEETER: SP-000062-00 FOR PERFORMANCE CHARACTERISTICS.)
- ② STUFF INSULATION (MS-000207-00) INTO BUCKET AFTER INSTALLING CROSSOVER (WP-000116-00).
- ① TORQUE TO 12 INCH POUNDS

NOTE: UNLESS OTHERWISE SPECIFIED

7. REFERENCE QSC SPECIFICATIONS: RD-000117-00, RD-000165-00 & RD-000166-00.

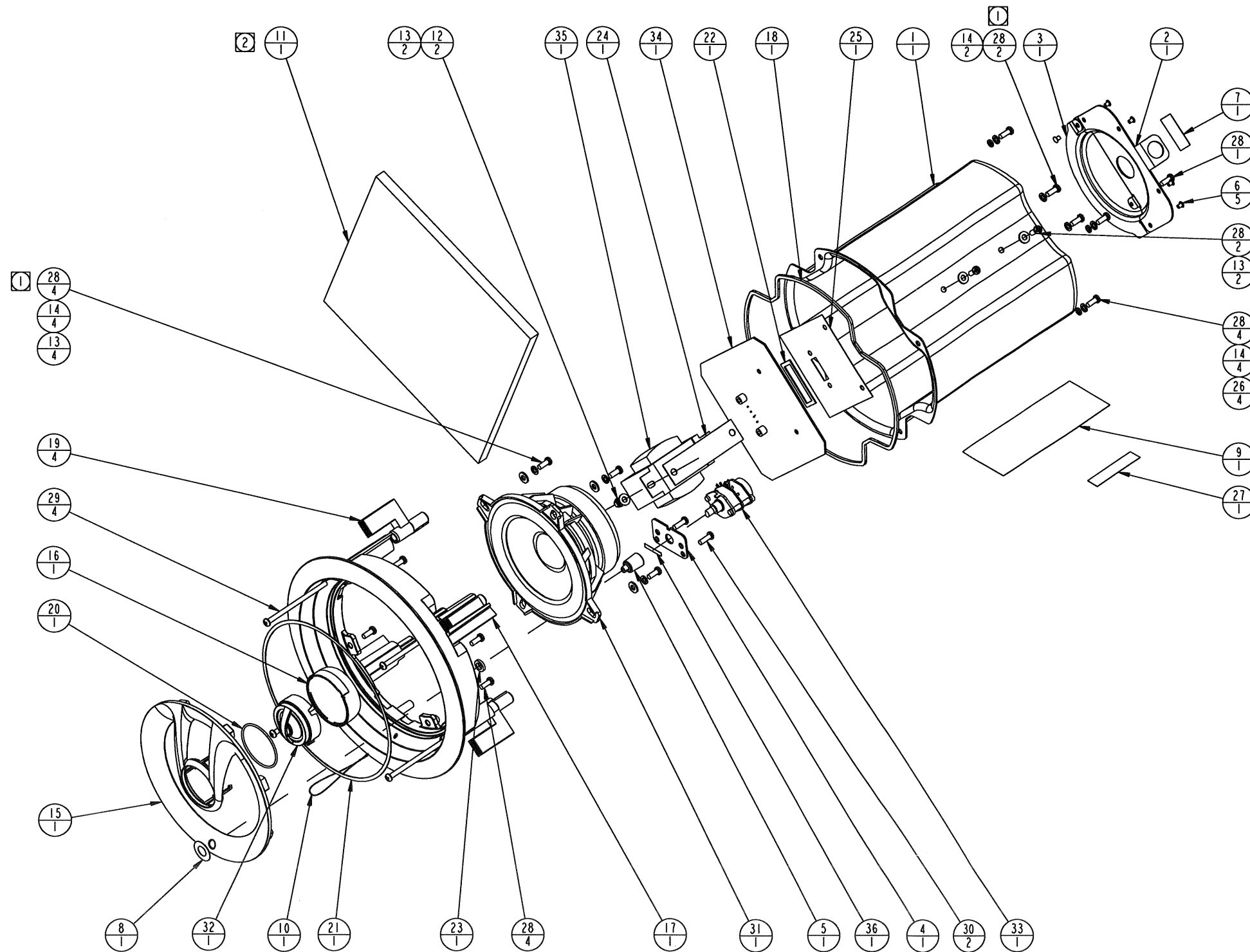
UNLESS OTHERWISE SPECIFIED DIMENSIONS ARE IN INCHES. TOLERANCES ARE: DECIMALS DECIMALS ANGLES .XX ± .02 .XXX ± .010 ± 1/2 DEBURR EDGES .010 R MAX	CONTRACT NO.		QSC AUDIO PRODUCTS, INC. 1675 MACARTHUR BOULEVARD COSTA MESA, CA 92626	
	APPROVALS			DATE
	DRAWN	D. SIMPSON		24-Aug-05
	CHECKED	R. BALTHAZAR		5-04-05
MATERIAL	NONE		MFG ENG	
FINISH	NONE		P. WRIGHT	
ISSUED	D. DELARM		8-26-05	
DO NOT SCALE DRAWING	WP-005200-00.m01n.A.0*	SCALE 0.750	WP-005200-00.A.0*	

ASSY, CEILING SP, DEEP - AD-C152T

SIZE	CAGE CODE	DWG NO.	REV
D	00PW4	WP-005200-00	A
SHEET 1 of 3		DRAWING INFO	

DWG NO. WP-005200-00  
 SHEET 1 of 3

THIS DOCUMENT CONTAINS PROPRIETARY INFORMATION WHICH IS THE PROPERTY OF QSC AUDIO PRODUCTS. THAT MAY NOT BE DISCLOSED, REPRODUCED OR USED WITHOUT EXPRESS WRITTEN CONSENT FROM QSC AUDIO PRODUCTS.



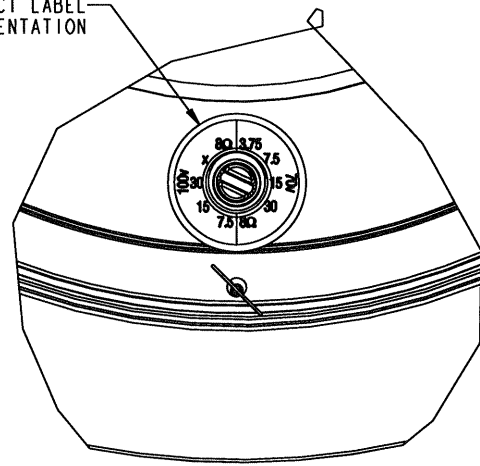
36	MS-000237-00	SCRIM CLOTH, BLACK	1
35	XF-000205-00	TRANSFORMER, 30W	1
34	WP-005202-00	CROSSOVER ASSEMBLY, CEILING SP	1
33	SW-000103-00	SWITCH, XFMR TAP	1
32	SP-000062-00	TWEETER, 1 INCH, CEILING SP	1
31	SP-000059-00	WOOFER, 5.25 INCH, CEILING SP	1
30	SC-000010-12	SCREW, PLASTITE 45 STANDARD M4 X 1.75 X 12MM	2
29	SC-000009-70	SCREW, PANHEAD, M4 X 70MM DRYWALL	4
28	SC-000008-10	SCREW, PHILLIPS, PH, M4 X 0.7 X 10MM	17
27	RD-000117-00	LABEL, SERIAL	1
26	PL-000336-00	GASKET	4
25	PL-000319-00	INSULATOR, CROSSOVER, DEEP	1
24	PL-000255-00	GASKET, XFMR, DEEP	1
23	PL-000231-00	GASKET, ROTARY SWITCH	1
22	PL-000230-00	GASKET, CONNECTOR, DEEP	1
21	PL-000229-00	GASKET, RING, MTG, COAX	1
20	PL-000228-00	O-RING, 1.625 O.D., .0625 THK, VITON	1
19	PL-000221-00	TAB, MTG, ROTATING	4
18	PL-000190-00	GASKET, BUCKET, DEEP	1
17	PL-000189-00	FLANGE, MOUNTING ASSY, CEILING SP, DEEP CAN	1
16	PL-000188-00	COVER, BOTTOM, TWEETER	1
15	PL-000186-01	RING, MTG ASSY, COAX SPEAKER, XFMR	1
14	NW-000029-00	WASHER, SPLIT-LOCK, M4, CRES	10
13	NW-000028-00	WASHER, FLAT, M4, 1.2MM THK	8
12	NW-000022-00	LOCKNUT, M4 X 0.7, W/NYLON, SS	2
11	MS-000207-00	THINSULATE, N-200, GENERIC	1
10	MS-000206-00	LANYARD, GRILLE	1
9	LB-000491-00	LABEL, PRODUCT, AD-C152T	1
8	LB-000490-00	LABEL, TAP SWITCH, CEILING SP	1
7	LB-000427-00	LABEL, POLARITY, AD-C52 SERIES	1
6	HW-000065-00	RIVET, 3MM X 4MM LG	5
5	CH-000411-00	KNOB, TAP SWITCH	1
4	CH-000410-00	PLATE, MTG, SWITCH	1
3	CH-000245-00	COVER, CONNECTOR, PIVOT, DEEP	1
2	CH-000244-00	COVER, CONNECTOR, FIXED, DEEP	1
1	CH-000242-00	BUCKET, DEEP, CEILING SP	1
ITEM	PART NUMBER	DESCRIPTION	QTY

BILL OF MATERIALS FOR WP-005200-00

SIZE	CAGE CODE	DWG NO.	REV
D	00PW4	WP-005200-00	A
SCALE	DRAWING INFO		SHEET
0.500	WP-005200-00.A.0+		2 of 3

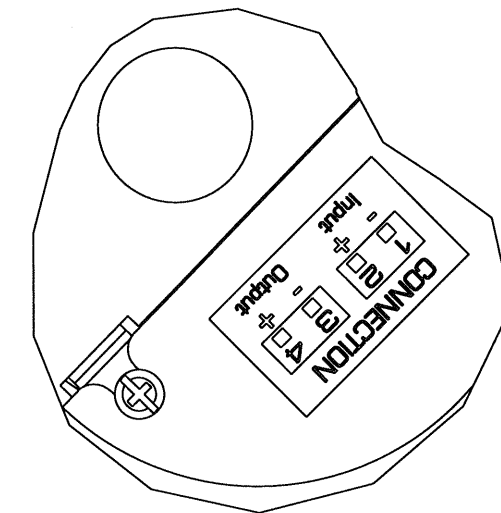
THIS DOCUMENT CONTAINS PROPRIETARY INFORMATION WHICH IS THE PROPERTY OF GSC AUDIO PRODUCTS, THAT MAY NOT BE DISCLOSED, REPRODUCED OR USED WITHOUT EXPRESS WRITTEN CONSENT FROM GSC AUDIO PRODUCTS.

CORRECT LABEL ORIENTATION

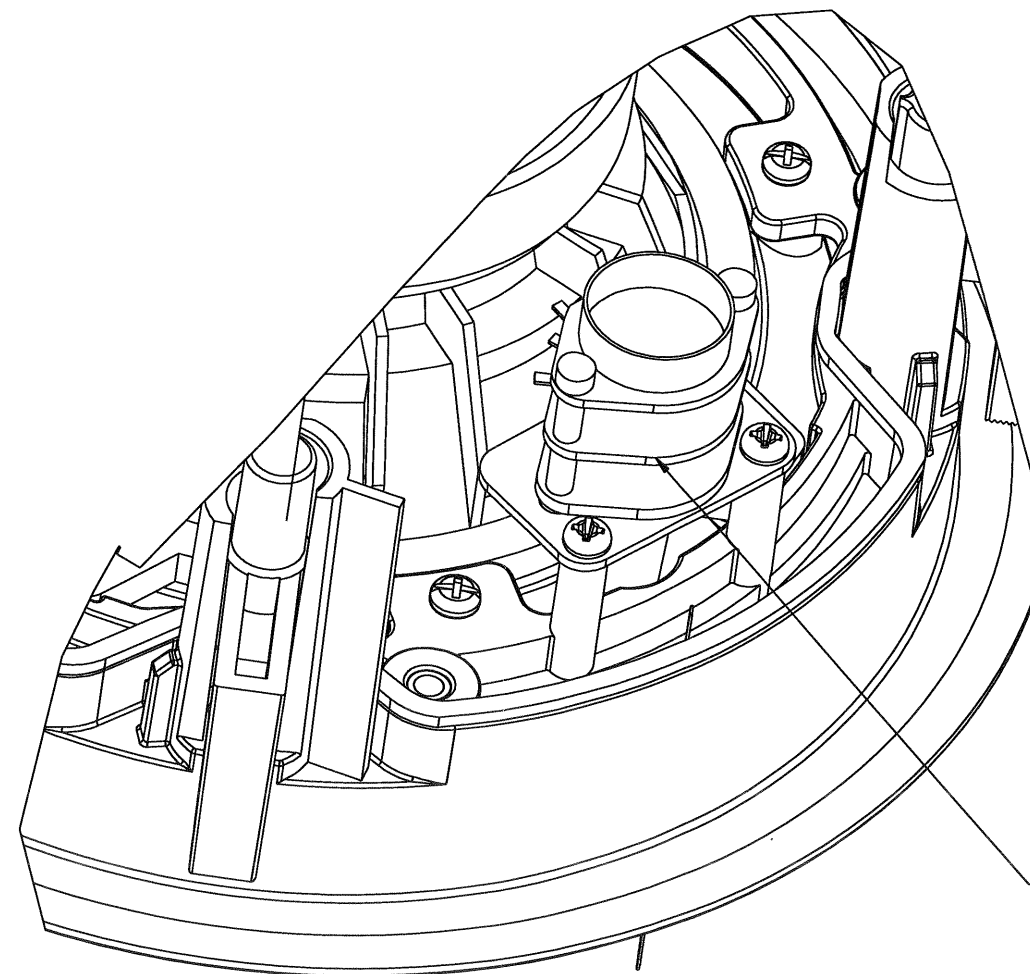


DETAIL LABEL SCALE 2.000

CORRECT LABEL ORIENTATION



DETAIL POLARITY LABEL SCALE 2.000



SCALE 2.000

INSTALL SWITCH, ITEM 33, IN ORIENTATION SHOWN.

SIZE	CAGE CODE	DWG NO.	REV
D	00PW4	WP-005200-00	A
SCALE	DRAWING INFO		SHEET
0.750	WP-005200-00.A.0*		3 of 3

DWG NO. WP-005200-00  
SHEET 3  
REV A