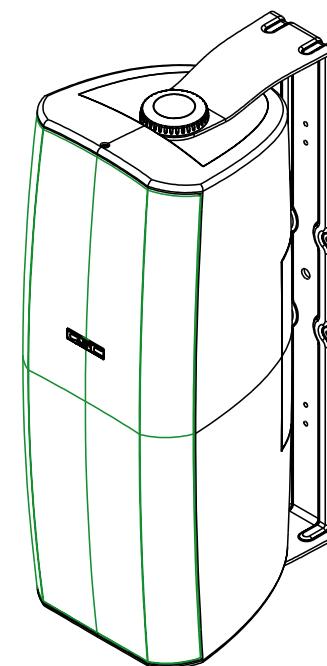
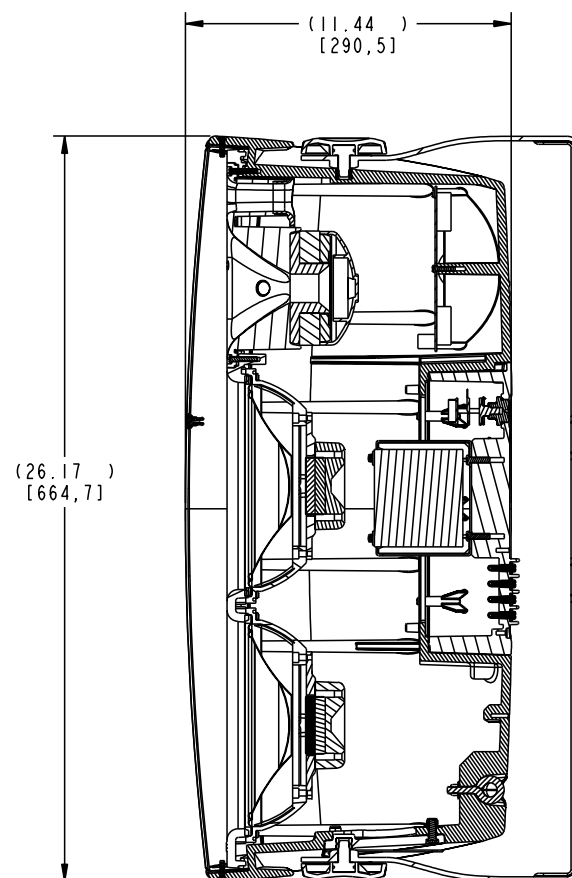
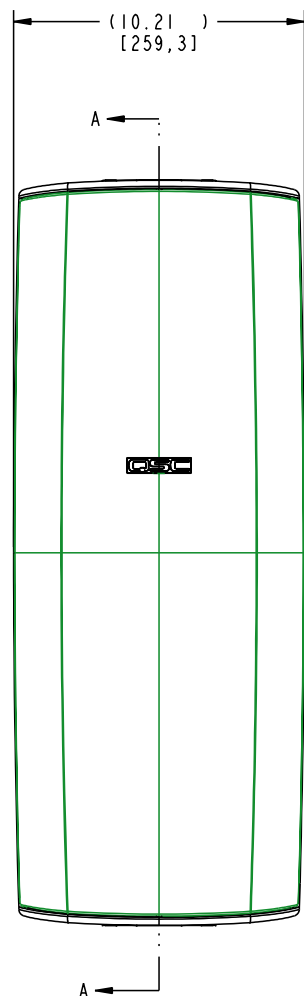


THIS DOCUMENT CONTAINS PROPRIETARY INFORMATION WHICH IS THE PROPERTY OF QSC AUDIO PRODUCTS. THAT MAY NOT BE DISCLOSED, REPRODUCED OR USED WITHOUT EXPRESS WRITTEN CONSENT FROM QSC AUDIO PRODUCTS.

REVISIONS				
REV	DESCRIPTION	EFF DATE	CHK	APPROVED DATE
1	RELEASE FOR QUOTE	10-15-03		
4	RELEASE FOR PILOT	09-10-04		
A	PROD. RELEASE PER ECO 6397 MP	11-5-04		DD



SCALE 0.250

ITEM	PART NUMBER	DESCRIPTION	QTY
44	XF-000272-00	TRANSFORMER, 200W, AD-S282	1
43	WP-000258-00	CROSSOVER ASSY, AD-S282	1
42	SW-000103-00	SWITCH, XFMR TAP	1
41	SP-000072-00	WOOFER, 8", NEO, 16 OHM, B&C	2
40	SP-000051-00	COMPRESSION DRIVER, DE 200, B&C	1
39	SP-000050-00	WAVEGUIDE, AD-S282	1
38	SC-000049-18	SCREW, PHILLIPS, PANHEAD, M5 X 1.4 X 18MM	6
37	SC-000048-18	SCREW, SOCKET BUTTON HEAD, M6 X 1 X 18MM	3
36	SC-000011-23	SCREW, PHILLIPS, PANHEAD, M4X1.4, 23 L, BLK	20
35	SC-000011-18	SCREW, PHILLIPS, PANHEAD, M4X1.4,	5
34	SC-000011-15	SCREW, PHILLIPS, PANHEAD, M4X1.4, 15 L, BLK	8
33	SC-000008-10	SCREW, PHILLIPS, PH, M4 X 1 X 10MM	4
32	SC-000006-14	CAP SCREW, M6 X 1 X 14MM	2
31	SC-000002-21	SCREW, PHILLIPS, PANHEAD, M4X1.4, 21 L	16
30	SC-000002-10	SCREW, PHILLIPS, PANHEAD, M4X1.4, 10 L	2
29	SB-000030-00	BAFFLE, AD-S282	1
28	SB-000029-XX	BUCKET, AD-S282	1
27	RD-000117-00	LABEL, SERIAL	1
26	PL-000365-XX	BACK COVER, INSTALL, AD-S282HT	1
25	PL-000360-00	GASKET, POLE CUP/COVER	1
24	PL-000346-XX	BADGE, AD-S282	1
23	PL-000344-00	GASKET, BAFFLE, AD-S282	1
22	PL-000341-XX	POLE CUP COVER, AD-S282	2
21	PL-000339-00	FLARE, PORT, AD-S282	1
20	PL-000308-XX	KNOB, XFMR TAP SWITCH	1
19	PL-000258-00	PLUG, WAVE GUIDE, HI OUTPUT, C3-8	2
18	PL-000244-00	O-RING, -018, TEFLON	1
17	PL-000241-00	GASKET, DOCKING PLATE	1
16	PL-000238-00	GASKET, WAVE-GUIDE	1
15	PL-000227-XX	KNOB, YOKE	2
14	PL-000212-XX	RECEPTACLE, BADGE	1
13	NW-250520-04	WASHER, M6, SS	4
12	NW-000029-00	WASHER, SPLIT-LOCK, M4, CRES	4
11	NW-000027-00	WASHER, M4, SS, FLAT	4
10	NW-000024-00	LOCKNUT, M6, W/NYLON, SS	4
9	MS-000210-00	FIBERFILL, POLYESTER, 13.4 X 9.9 X 2.0	2
8	HW-000041-00	EYE BOLT, 6MM, SS	1
7	HW-000040-00	RETAINER, ID, .312	1
6	CO-000319-00	CLAMP, WIRE, M4 X 0.7 X 8MM	4
5	CH-000402-00	PLATE, MTG, SWITCH	1
4	CH-000392-00	CONTACT, BARRIER STRIP, AD-S282	4
3	CH-000391-00	ASSY, PLATE, MTG, XFMR, AD-S282HT	1
2	CH-000387-XX	BRACKET, YOKE	1
1	CH-000386-XX	GRILLE, AD-S282	1

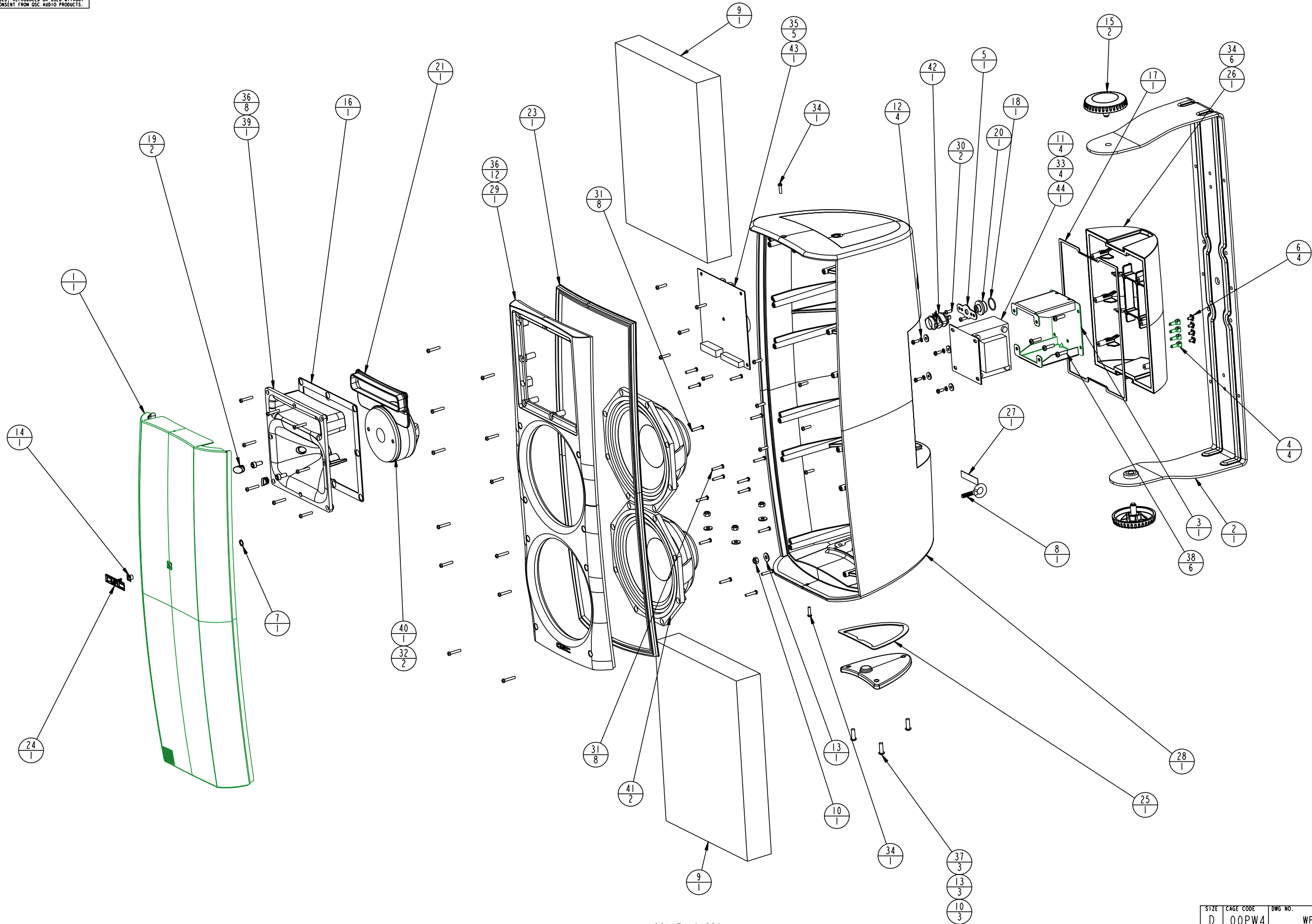
6. MAXIMUM ALLOWABLE SINKS/BULDGES: 0.003 INCH
5. LOGO ORIENTATION: MAXIMUM ALLOWABLE ANGLE FROM HORIZONTAL: +/- 1 DEGREE
4. MAXIMUM ALLOWABLE GAP BETWEEN GRILLE AND BUCKET: 0.02 INCH
3. TEXTURE AND FINISH: PER COSMETIC SPEC RD-000122-00.
2. COLORS: BLACK PER RD-000120-00, WHITE PER RD-000121-00
1. REFERENCE QSC DRIVER SPECIFICATION, WOOFER: SP-000072-00 AND TWEETER: SP-000051-00 FOR PERFORMANCE CHARACTERISTICS.

NOTE: UNLESS OTHERWISE SPECIFIED

DASH NO.	COLOR
-01	BLACK
-02	WHITE

UNLESS OTHERWISE SPECIFIED DIMENSIONS ARE IN INCHES.		CONTRACT NO.		QSC AUDIO PRODUCTS, INC. 1675 MACARTHUR BOULEVARD COSTA MESA, CA 92626	
TOLERANCES ARE:		APPROVALS	DATE	ASSY, AD-S282HT	
DECIMALS	DECIMALS	D. SIMPSON	10-Sep-04		
.xx ± .02	.xxx ± .010 ± 1/2	CHECKED			
DEBURR EDGES .010 R MAX		R. BALTHAZAR			
MATERIAL	NONE	WFG ENG	S. ELIZALDE	SIZE	CAGE CODE
FINISH	NONE	ISSUED	D. DELARM	D	00PW4
DO NOT SCALE DRAWING	WP-000284-XX.main.A.0+	SCALE	0.310	DWG NO.	WP-000284-XX
MODEL INFO		DRAWING INFO		SHEET	1 of 2

THIS DOCUMENT CONTAINS PROPRIETARY INFORMATION WHICH IS THE PROPERTY OF OSC AUDIO PRODUCTS. THAT MAY NOT BE DISCLOSED, REPRODUCED OR USED WITHOUT EXPRESS WRITTEN CONSENT FROM OSC AUDIO PRODUCTS.



SCALE 0.320

SIZE	CAGE CODE	DWG. NO.	REV.
D	00PW4	WP-000284-XX	A
SCALE 0.200	WP-000284-XX.A.0*	SHEET 2 of 2	

DWG. NO. WP-000284-XX
SHEET 2
REV. A