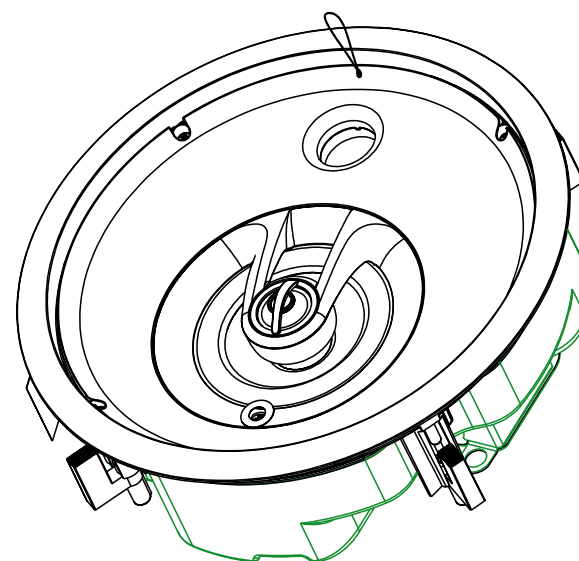
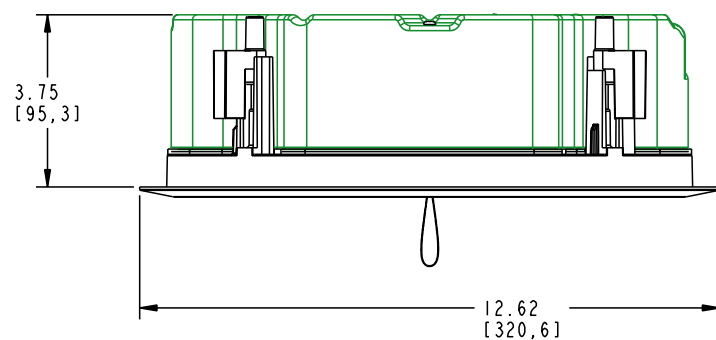
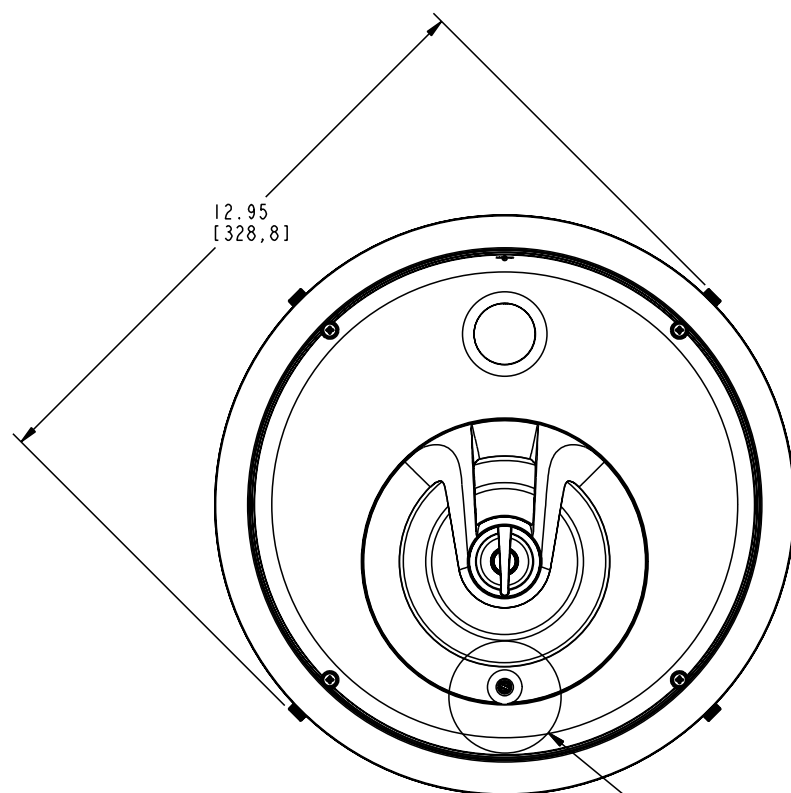


THIS DOCUMENT CONTAINS PROPRIETARY INFORMATION WHICH IS THE PROPERTY OF OSC AUDIO PRODUCTS, THAT MAY NOT BE DISCLOSED, REPRODUCED OR USED WITHOUT EXPRESS WRITTEN CONSENT FROM OSC AUDIO PRODUCTS.

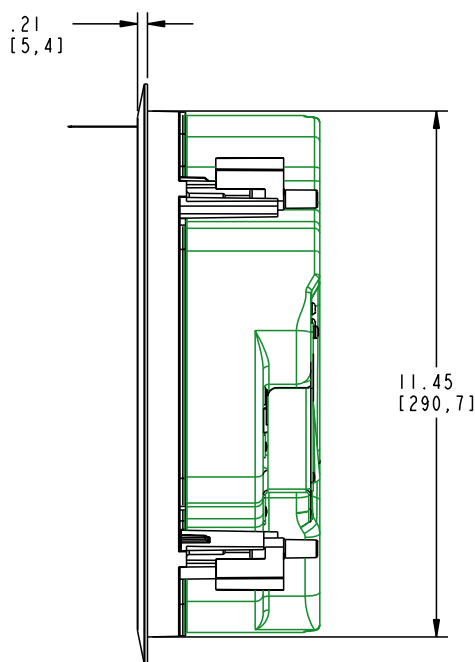
REVISIONS				
REV	DESCRIPTION	EFF DATE	CHK	APPROVED DATE
1	RELEASE FOR QUOTE	01-05-05		
2	REVISED LABELS & HARDWARE			
A	PROD. RELEASE PER ECO 6753 MP	8-26-05	SE	DD



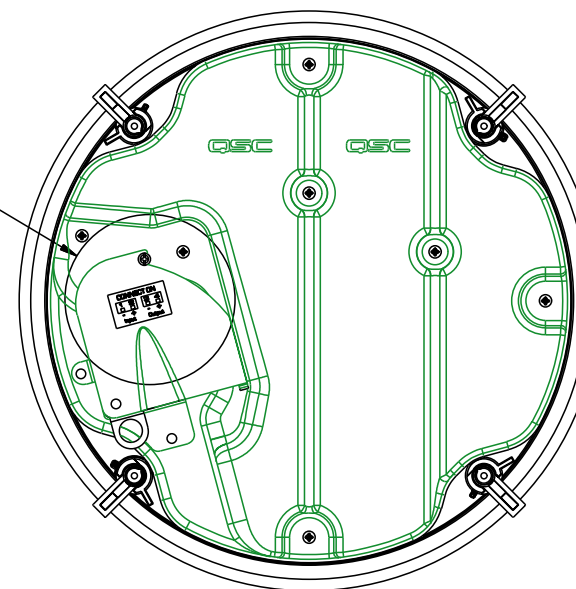
SCALE 0.500



SEE DETAIL A



SEE DETAIL B



- ⑦ WRAP SCRIM CLOTH, ITEM 38, AROUND SHAFT OF SWITCH, ITEM 35, PRIOR TO INSTALLING KNOB, ITEM 5.
- 6. MAXIMUM ALLOWABLE GAP BETWEEN GRILLE AND BUCKET: 0.03 INCH.
- 5. TEXTURE AND FINISH: 3A, PER COSMETIC SPEC RD-000122-00.
- 4. COLOR: WHITE PER RD-000121-00.
- 3. REFERENCE OSC DRIVER SPECIFICATION, WOOFER: SP-000059-00 AND TWEETER: SP-000062-00 FOR PERFORMANCE CHARACTERISTICS.
- ② STUFF INSULATION (MS-000208-00) INTO BUCKET AFTER INSTALLING CROSSOVER (WP-000274-00).
- ① TORQUE TO 12 INCH POUNDS.

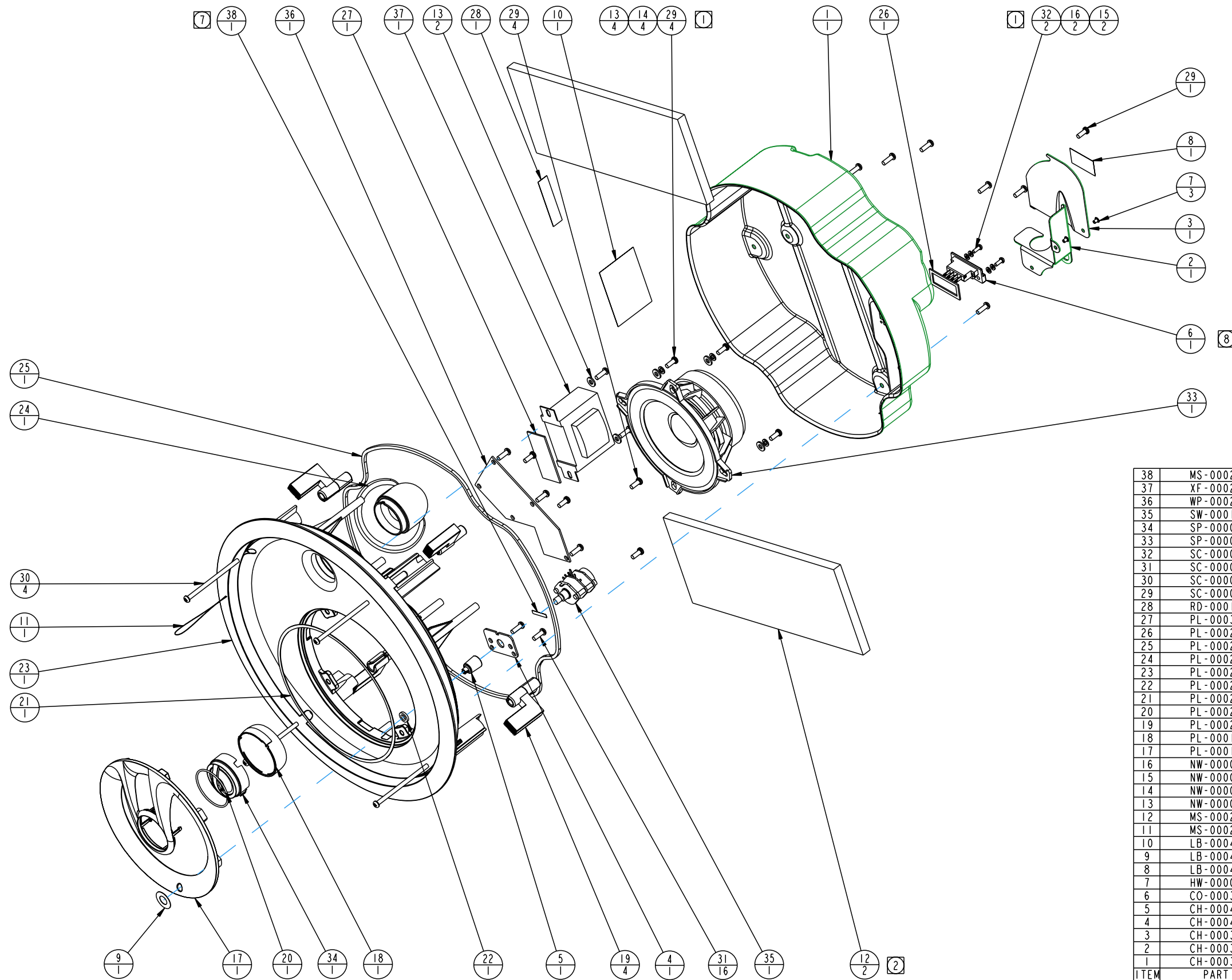
- 9. REFERENCE OSC SPECIFICATIONS: RD-000117-00, RD-000163-00 & RD-000164-00.
- ⑧ FILL NERROW SLOT IN HEADER, ITEM 6, WITH RTV.

NOTES: UNLESS OTHERWISE SPECIFIED

UNLESS OTHERWISE SPECIFIED DIMENSIONS ARE IN INCHES. TOLERANCES ARE: DECIMALS DECIMALS ANGLES .xx ±.02 .xxx ±.010 ±1/2 DEBURR EDGES .010 R MAX	CONTRACT NO.		OSCA OSC AUDIO PRODUCTS, INC. 1675 MACARTHUR BOULEVARD COSTA MESA, CA 92626	
	APPROVALS	DATE	ASSY, CEILING SP, SHALLOW - AD-C152ST	
	DRAWN D. SIMPSON	24-Aug-05		
	CHECKED R. BALTHAZAR	5-04-05	SIZE D	CAGE CODE 00PW4
MATERIAL NONE	WFG ENG P. WRIGHT	N/A	REV A	SHEET 1 of 3
FINISH NONE	ISSUED D. DELARM	8-26-05	SCALE 0.500	DRAWING INFO WP-005201-00.A.0
DO NOT SCALE DRAWING	MODEL INFO WP-005201-00.main.A.0		DRAWING INFO WP-005201-00.A.0	

DWG NO. WP-005201-00
SHEET 1 OF 3
REV A

THIS DOCUMENT CONTAINS PROPRIETARY INFORMATION WHICH IS THE PROPERTY OF OSC AUDIO PRODUCTS, THAT MAY NOT BE DISCLOSED, REPRODUCED OR USED WITHOUT EXPRESS WRITTEN CONSENT FROM OSC AUDIO PRODUCTS.



38	MS-000237-00	SCRIM CLOTH, BLACK	1
37	XF-000205-00	TRANSFORMER, 30W	1
36	WP-000274-00	CROSSOVER ASSY- CEILING SP,	1
35	SW-000103-00	SWITCH, XFMR TAP	1
34	SP-000062-00	TWEETER, 1 INCH, CEILING SP	1
33	SP-000059-00	WOOFER, 5.25 INCH, CEILING SP	1
32	SC-000016-08	SCREW, PANHEAD, M3 X 0.5 X 8MM	2
31	SC-000010-12	SCREW, PLASTITE 45 STANDARD M4 X 1.75 X 12MM	16
30	SC-000009-70	SCREW, PANHEAD, M4 X 70MM DRYWALL	4
29	SC-000008-10	SCREW, PHILLIPS, PH, M4 X 0.7 X 10MM	9
28	RD-000117-00	LABEL, SERIAL	1
27	PL-000322-00	GASKET, XFMR, SHALLOW,	1
26	PL-000264-00	GASKET, CONNECTOR, SHALLOW,	1
25	PL-000263-00	GASKET, BUCKET, SHALLOW,	1
24	PL-000262-00	PORT TUBE, SHALLOW,	1
23	PL-000261-00	FLANGE, MTG, SHALLOW,	1
22	PL-000231-00	GASKET, ROTARY SWITCH,	1
21	PL-000229-00	GASKET, RING, MTG, COAX,	1
20	PL-000228-00	O-RING, 1.625 O.D., .0625 THK, VITON	1
19	PL-000221-00	TAB, MTG, ROTATING,	4
18	PL-000188-00	COVER, BOTTOM, TWEETER,	1
17	PL-000186-01	RING, MTG ASSY, COAX SPEAKER, XFMR	1
16	NW-000035-00	WASHER, FLAT, 6.0 O.D., 3.0 I.D., .9 THK	2
15	NW-000034-00	WASHER, SPLIT-LOCK, M3, CRES	2
14	NW-000029-00	WASHER, SPLIT-LOCK, M4, CRES	4
13	NW-000028-00	WASHER, FLAT, M4, 1.2MM THK	6
12	MS-000208-00	THINSULATE, N-200, GENERIC	2
11	MS-000206-00	LANYARD, GRILLE,	1
10	LB-000492-00	LABEL, PRODUCT, AD-C152ST	1
9	LB-000490-00	LABEL, TAP SWITCH, CEILING SP	1
8	LB-000427-00	LABEL, POLARITY, AD-C52 SERIES	1
7	HW-000083-00	RIVET, 3MM X 4MM LG, STEEL	3
6	CO-000313-00	FEED THROUGH HEADER, 5.08MM PITCH, 4 PIN,	1
5	CH-000411-00	KNOB, TAP SWITCH	1
4	CH-000410-00	PLATE, MTG, SWITCH	1
3	CH-000316-00	COVER, CONNECTOR, SHALLOW,	1
2	CH-000315-00	BRACKET, SUPPORT, SHALLOW,	1
1	CH-000312-00	BUCKET, SHALLOW,	1
ITEM	PART NUMBER	DESCRIPTION	QTY

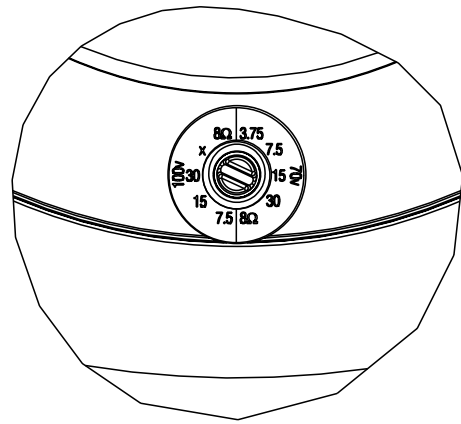
BILL OF MATERIALS FOR WP-000245-02

SCALE 0.500

SIZE	D	CAGE CODE	00PW4	DWG NO.	WP-005201-00	REV	A
SCALE	0.500	DRAWING INFO			SHEET 2 of 3		

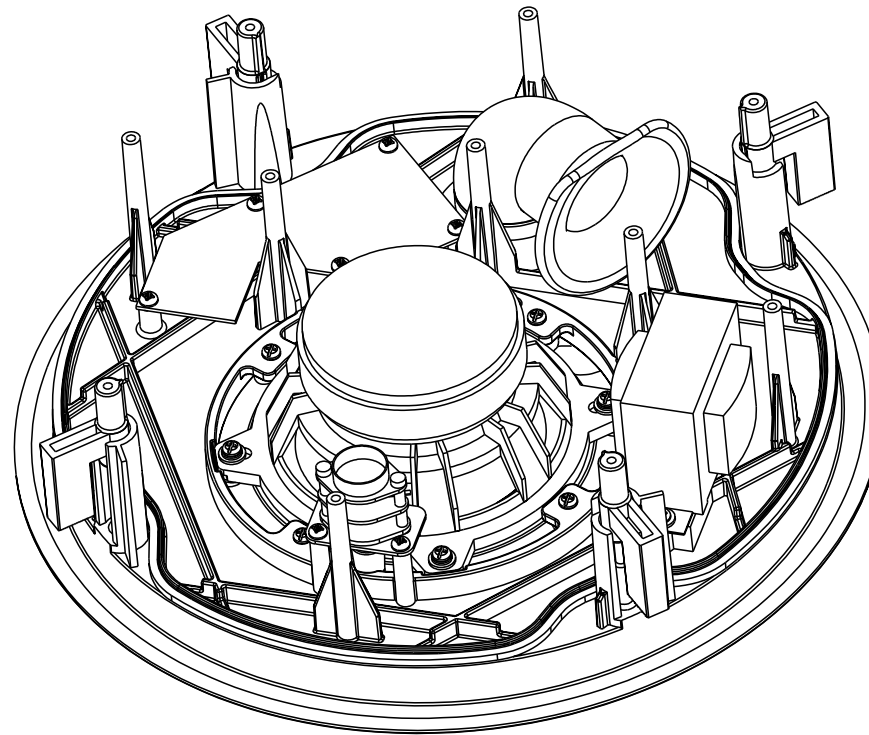
THIS DOCUMENT CONTAINS PROPRIETARY INFORMATION WHICH IS THE PROPERTY OF OSC AUDIO PRODUCTS, THAT MAY NOT BE DISCLOSED, REPRODUCED OR USED WITHOUT EXPRESS WRITTEN CONSENT FROM OSC AUDIO PRODUCTS.

SELECTOR SWITCH LABEL ORIENTATION



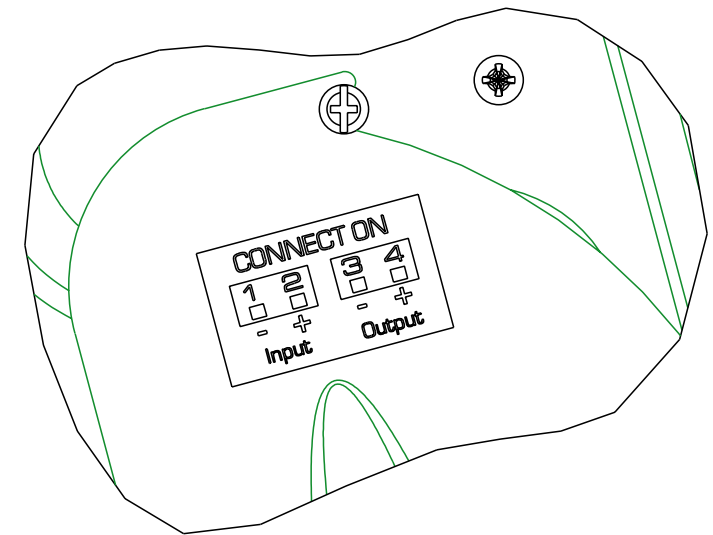
DETAIL A
SCALE 2.000

BACK VIEW WITH CAN ASSY OMITTED FOR CLARITY



SCALE 0.750

CONNECTION LABEL ORIENTATION



DETAIL B
SCALE 2.000

SIZE	CAGE CODE	DWG NO.	REV
D	00PW4	WP-005201-00	A
SCALE 0.500	DRAWING INFO WP-005201-00.A.0		SHEET 3 of 3