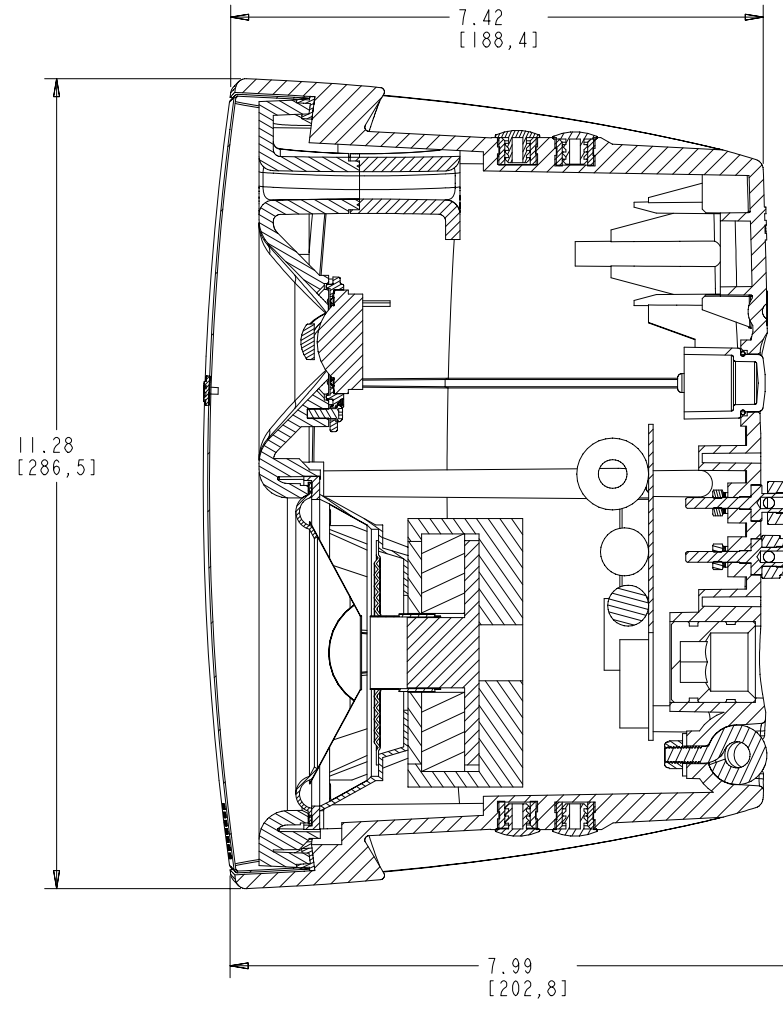
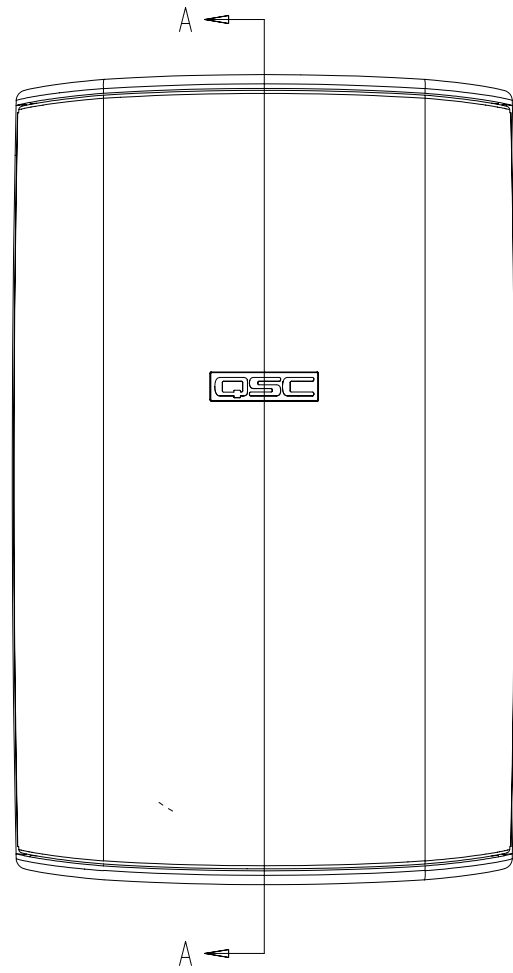
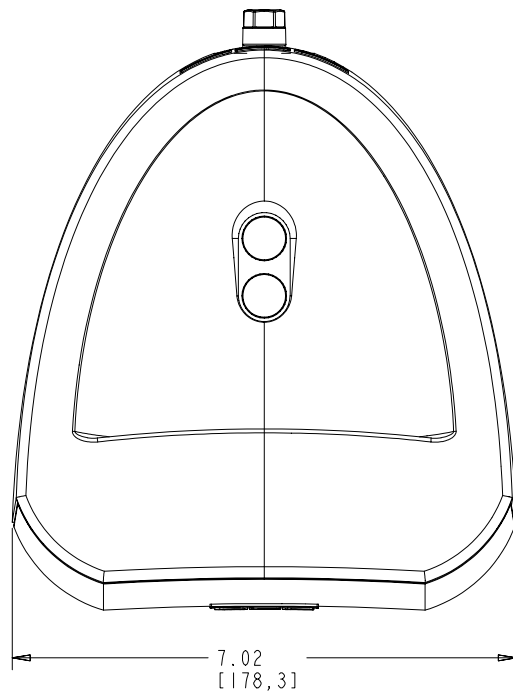


THIS DOCUMENT CONTAINS PROPRIETARY INFORMATION WHICH IS THE PROPERTY OF QSC AUDIO PRODUCTS. THAT MAY NOT BE DISCLOSED, REPRODUCED OR USED WITHOUT EXPRESS WRITTEN CONSENT FROM QSC AUDIO PRODUCTS.

REVISIONS				
REV	DESCRIPTION	EFF DATE	CHK	APPROVED DATE
A	PRODUCTION RELEASE PER ECO 6473 AA	2-11-05	SE	DD



PART NUMBER	COLOR
WP-000406-01	BLACK
WP-000406-02	WHITE

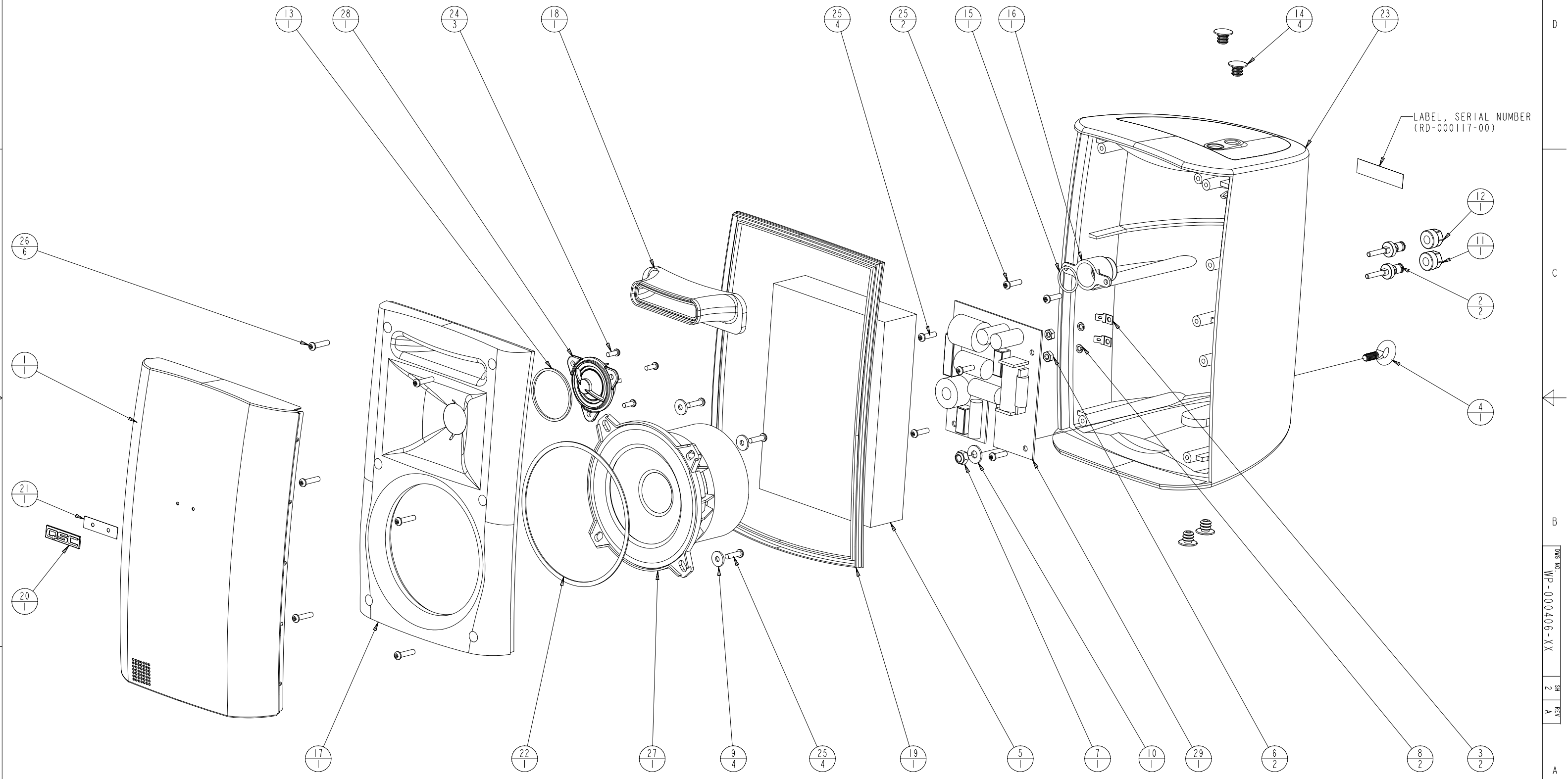
29	WP-000253-00	PCB, AD-S52, ASM	1
28	SP-000061-00	TWEETER, 1 IN	1
27	SP-000058-00	WOOFER, 5.25 IN, FG CONE,	1
26	SC-000011-18	SCREW, PHILLIPS, PANHEAD, M4X1.4,	6
25	SC-000002-15	SCREW, PHILLIPS, PANHEAD, M4X1.4, 15 L	10
24	SC-000000-10	SCREW, PHILLIPS, PANHEAD, M3.5X1.25, 10 L	3
23	SB-000015-XX	HOUSING, AD-S52	1
22	PL-000374-00	GASKET, WOOFER, 5 INCH	1
21	PL-000366-01	GASKET, BADGE, AD-S52	1
20	PL-000313-XX	LOGO, BADGE, AD-S52	1
19	PL-000312-00	GASKET, BAFFLE, AD-S52	1
18	PL-000311-00	PORT, FLARE, AD-S52	1
17	PL-000310-00	BAFFLE, AD-S52	1
16	PL-000309-XX	PLUG, SWITCH HOLE	1
15	PL-000244-00	O-RING, -.018, TEFLON	1
14	PL-000236-XX	PLUG, INSERT, .375	4
13	PL-000234-00	GASKET, TWEETER	1
12	PL-000215-02	NUT, WITH INSERT, BINDING POST	1
11	PL-000215-01	NUT, WITH INSERT, BINDING POST	1
10	NW-250520-04	WASHER, M6, SS	1
9	NW-000027-00	WASHER, M4, SS, FLAT	4
8	NW-000026-00	WASHER, SPLIT-LOCK, M4, BRASS	2
7	NW-000024-00	LOCKNUT, M6, W/NYLON, SS	1
6	NW-000023-00	NUT, M4 X 0.7, BRASS	2
5	MS-000214-00	FIBERFILL, POLYESTER, 7 X 5 X 1.5	1
4	HW-000062-XX	EYE BOLT, M6X1	1
3	CO-000297-00	FASTON, MALE, .210 X .032	2
2	CO-000268-00	POST, BINDING	2
1	CH-000361-XX	GRILLE, AD-S52	1

ITEM		PART NUMBER	DESCRIPTION	QTY
BILL OF MATERIALS				
UNLESS OTHERWISE SPECIFIED DIMENSIONS ARE IN INCHES.		CONTRACT NO.		
TOLERANCES ARE:		APPROVALS		
DECIMALS .XX ± .02	DECIMALS .XXX ± .010	ANGLES ± 1/2	DATE	
DEBURR EDGES .010 R MAX		DRAWN A. ARANDA 2-04-05		
MATERIAL NONE		CHECKED P. WRIGHT 2-07-05		
FINISH NONE		MFG ENG R. BALTHAZAR 2-07-05		
DO NOT SCALE DRAWING		ISSUED D. DELARM 2-14-05		
MODEL INFO WP-000406-XX.moin.A.0		DRAWING INFO		
SCALE 0.100		SIZE D	CAGE CODE 00PW4	DWG NO. WP-000406-XX
SHEET 1 of 2		REV A		

- 7 REFERENCE QSC DRIVER SPECIFICATION, FOR WOOFER SEE SP-000058-00 AND FOR TWEETER SEE SP-000061-00 FOR PERFORMANCE CHARACTERISTICS.
- FIBERFILL: PLACEMENT MAY NOT BLOCK PORT TUBE.
 - PAD PRINT ARTWORK PER RD-000141-00
 - COLORS: BLACK PER RD-000120-00, WHITE PER RD-000121-00
 - MAXIMUM ALLOWABLE SINKS: .003 INCHES
 - MAXIMUM ALLOWABLE GAP BETWEEN GRILLE AND HOUSING: .02 INCHES.
 - HOUSING FINISH PER QSC RD-000122-00.

NOTE: UNLESS OTHERWISE SPECIFIED

THIS DOCUMENT CONTAINS PROPRIETARY INFORMATION WHICH IS THE PROPERTY OF OSC AUDIO PRODUCTS. THAT MAY NOT BE DISCLOSED, REPRODUCED OR USED WITHOUT EXPRESS WRITTEN CONSENT FROM OSC AUDIO PRODUCTS.



LABEL, SERIAL NUMBER (RD-000117-00)

SIZE	CAGE CODE	DWG NO.	REV
D	00PW4	WP-000406-XX	A
SCALE 0.100	DRAWING INFO		SHEET 2 of 2

DWG NO. WP-000406-XX
SH. A
REV. A