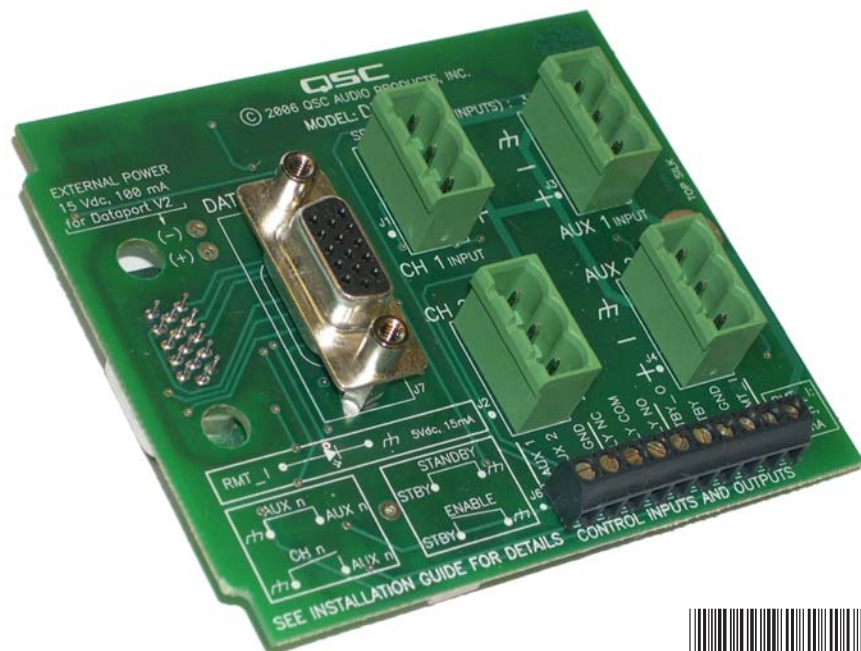




DDI-8c

DataPort Accessory Card

INSTALLATION GUIDE



▼ **DDI-8c**



TD-000230-TS

Rev. B

Instructions for the DDI-8c DataPort Accessory Card

I. INTRODUCTION

The DDI-8c DataPort Accessory Card is specially designed for cinema applications using QSC DCA Series amplifiers, a BASIS processor, and a DSP-30 loaded with a cinema bypass preset.

When wired to a DPDT switch as shown in Figure 1, it allows the projectionist or operator to switch the amplifier inputs over to auxiliary audio sources, fed by a DSP-30, in the event of a failure of the BASIS unit. See Figure 3 for a block diagram of the backup system arrangement.

The DDI-8c DataPort Accessory Card mounts to the back of any two-channel QSC DCA Series power amplifier. Two small LEDs near the right edge of the circuit board indicate when the auxiliary inputs are enabled.

II. INSTALLATION

The DDI-8c kit (QSC part # SG-000523-00) includes these items:

- DDI-8c card**
- Threaded standoff 8-32 × 0.375"; QSC part # HW-000110-TS**
- Phillips screw 8-32 × 0.315", black; QSC part # SC-080051-PP**
- Two Phillips screws #4-40 × 1/4", black; QSC part # SC-040041-PP**
- Two 3-pin Phoenix Euro-style connectors; QSC part # CO-000198-00**
- Installation guide; QSC part # TD-000230-TS**

Parts, materials, and tools needed:

- Latching (i.e., not momentary) DPDT switch—pushbutton, toggle, etc.**
- Insulated hookup wire**
- Shielded balanced audio cable**
- QSC DSP-30 processor with cinema bypass preset loaded**
- Male and female XLR connectors (for connection to DSP-30)**

Use this procedure to install the DDI-8c:

1. Turn off the amplifier.
2. On the rear panel of the amp, thread the hex standoff into the mounting hole to the right of the "Parallel Input" DIP switches. Tighten it securely.
3. Plug the DDI-8c into the amplifier's DataPort.
4. Use the two 4-40 screws included to secure the DDI-8c to the amplifier's DataPort.
5. Use the 8-32 screw included in the kit to secure the right side of the DDI-8c to the hex standoff.
6. Locate the DSP-30 near the amplifier. Using the female XLR and Phoenix connectors as well as the balanced shielded cable, connect the DSP-30's outputs, 1 and 2, to the respective aux inputs of the DDI-8c.
7. Connect input 1 of the DSP-30 to the cinema processor's *Hearing Impaired* output. This output will serve as the emergency audio signal source.
8. Wire the DPDT switch to the DDI-8c as shown in Figure 1.
9. The system is ready for use.

CONNECTING MULTIPLE DDI-8c BOARDS

You can control multiple DDI-8c boards on the same DPDT switch. The connections to AUX 1, AUX 2, and GND can simply be linked together in parallel (see Figure 2). The standby connections (STBY and STBY_0) cannot be paralleled and must be cascaded, though; connect the switch to STBY and STBY_0 on the first DDI-8c board, and then connect RLY COM and RLY NC on that board to STBY and STBY_0 on the next DDI-8c board.

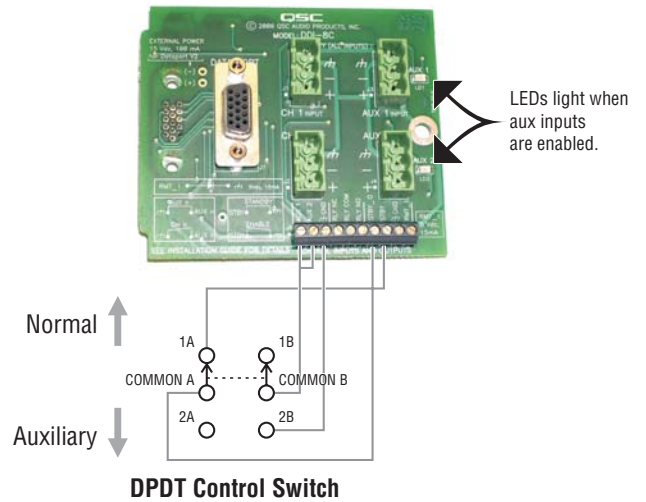


Figure 1. The DDI-8c

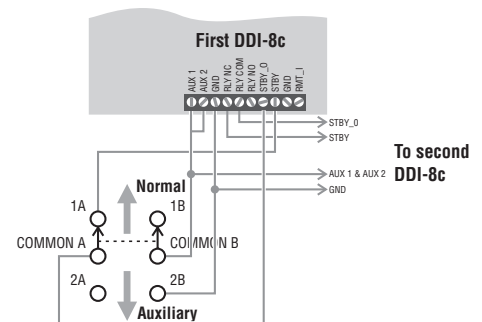


Figure 2. Connecting multiple DDI-8c boards to one switch.

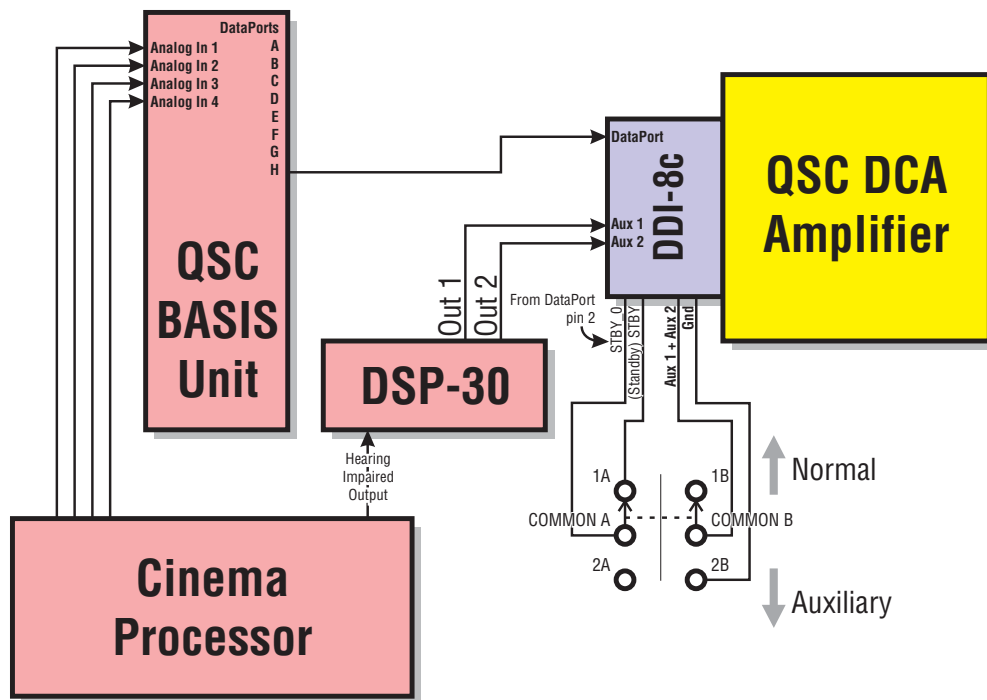


Figure 3. Block diagram of backup cinema system

III. WARRANTY AND DISCLAIMERS

QSC Audio Products, Inc. is not liable for any damage to speakers, amplifiers, or any other equipment that is caused by negligence or improper installation and/or use of the DDI-8c DataPort Accessory Card.

PRODUCT WARRANTY

QSC Audio Products, Inc. ("QSC") guarantees its products to be free from defective material and / or workmanship for a period of three (3) years from date of sale, and will replace defective parts and repair malfunctioning products under this warranty when the defect occurs under normal installation and use - provided the unit is returned to our factory or one of our authorized service stations via pre-paid transportation with a copy of proof of purchase (i.e., sales receipt). This warranty provides that the examination of the return product must indicate, in our judgment, a manufacturing defect. This warranty does not extend to any product which has been subjected to misuse, neglect, accident, improper installation, or where the date code has been removed or defaced. QSC shall not be liable for incidental and/or consequential damages. This warranty gives you specific legal rights. This limited warranty is freely transferable during the term of the warranty period.

The customer may have additional rights, which vary from state to state.

In the event that this product was manufactured for export and sale outside of the United States or its territories, then this limited warranty shall not apply. Removal of the serial number on this product, or purchase of this product from an unauthorized dealer, will void this limited warranty.

Contact us at 1-800-772-2834 (USA only) or +1 (714) 957-7150, or visit our Web site at www.qscaudio.com

TECHNICAL ASSISTANCE

If you suspect that your DDI-8c is defective, check your system configuration and DDI-8c connections to determine the origin of the problem. In many cases, incorrect audio interfacing, poor cabling, or other system level impairments are the causes of problems in audio systems. For technical assistance beyond the information given in this manual, contact the QSC Technical Services department.

FACTORY SERVICE

If your DDI-8c ever requires factory service, contact the QSC Technical Services department for return instructions and a Return Authorization (RA) number. QSC is not responsible for products returned without a Return Authorization number.

PRODUCT RETURN GUIDELINES

1. Pack the product securely for protection during shipment. QSC will provide factory packaging free of charge, on request.
2. Include a copy of the sales receipt, your name, return address, phone number, and a description of the problem.
3. Call QSC Technical Services department for a Return Authorization number.
4. Write the Return Authorization number on the outside of the shipping package.
5. Ship the product prepaid to QSC Audio Products.

Shipping address:

QSC Technical Services
1665 MacArthur Blvd.
Costa Mesa, CA 92626 USA

Telephone: (800) QSC AUDIO [(800) 772-2834]
+1 (714) 957-7150
+1 (714) 754-6175

Fax: +1 (714) 754-6173

Web: www.qscaudio.com

INTERNATIONAL SERVICING

For QSC products purchased outside the United States, refer service to the distributor or dealer from which the product was purchased. There are numerous service centers in many countries. Your dealer, distributor, or QSC Technical Services can refer you to a service center in your country.



QSC Audio Products, Inc., 1675 MacArthur Boulevard Costa Mesa, California 92626 USA PH: (714) 754-6175 FAX: (714) 754-6174

BASIS is a trademark of QSC Audio Products, Inc. "QSC" and the QSC logo are registered with the U.S. Patent and Trademark Office.