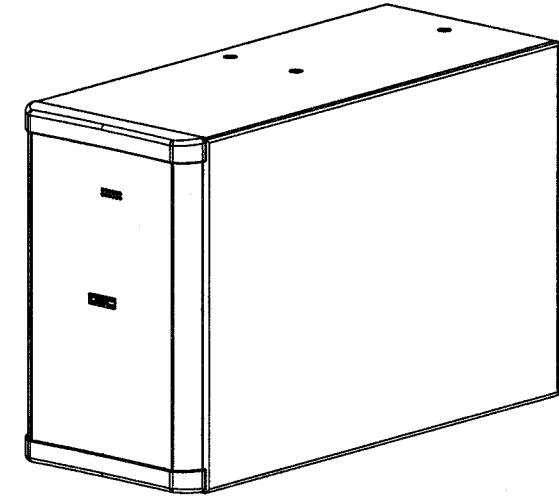
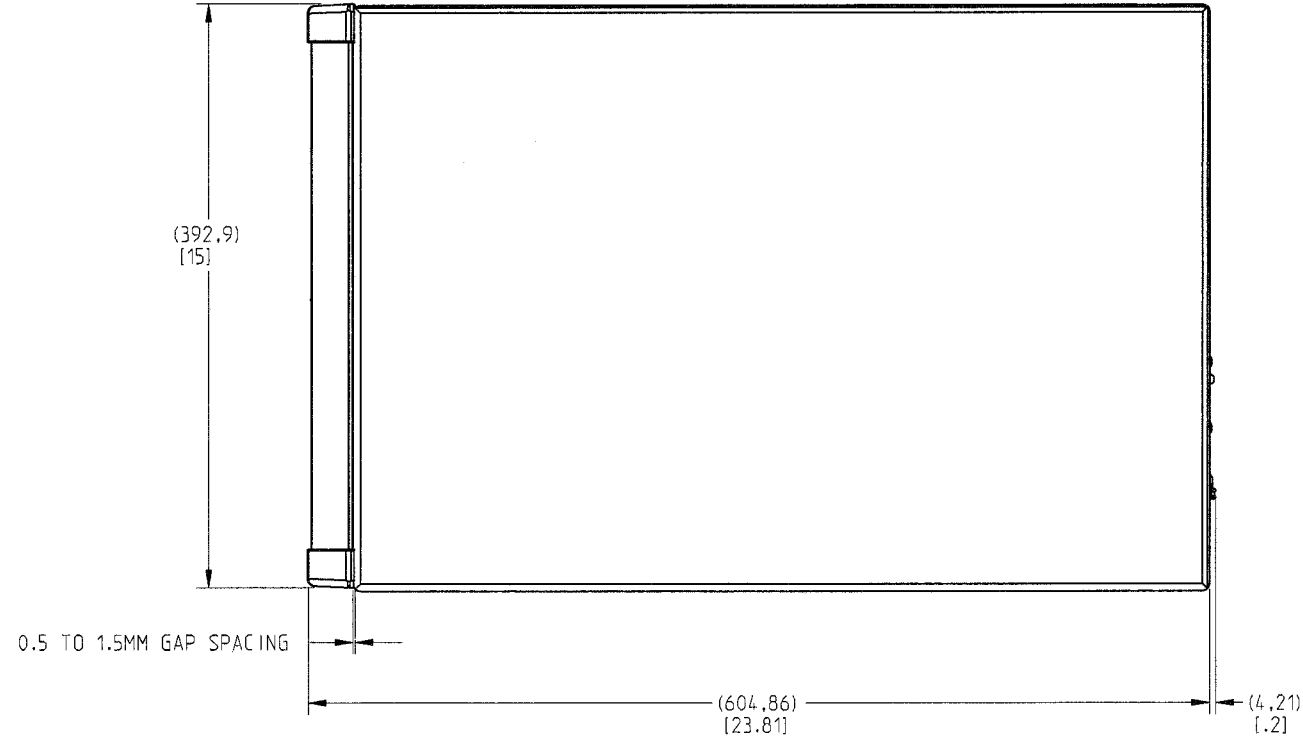
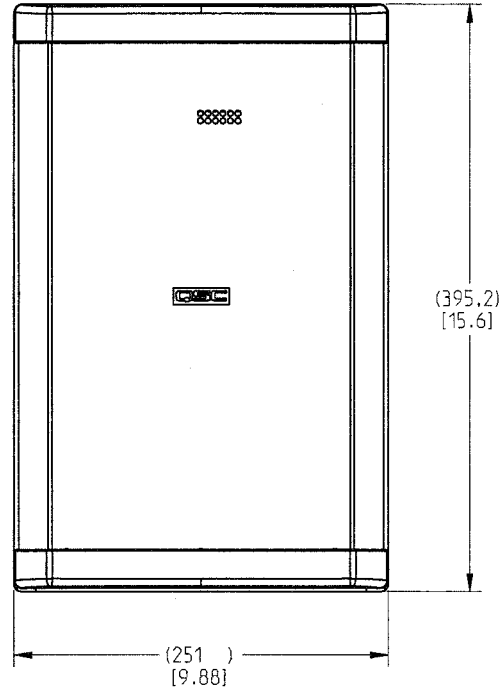


THIS DOCUMENT CONTAINS PROPRIETARY INFORMATION WHICH IS THE PROPERTY OF QSC AUDIO PRODUCTS, THAT MAY NOT BE DISCLOSED, REPRODUCED OR USED WITHOUT EXPRESS WRITTEN CONSENT FROM QSC AUDIO PRODUCTS

REV		DESCRIPTION	EFF DATE	CHK	APVD
A		PRODUCTION RELEASE W/O CHANGE PER ECO 8947 MP	1-16-09	LE	DD



3. ALL DIMENSIONS NOT SHOWN ARE DERIVED FROM CONTROLLED DATA FILES: <DWG NO.><CURRENT REVISION>.
 2. THIS PART MUST BE ROHS COMPLIANT PER QSC RD-000160-00.
 1. ALL DIMENSIONS APPLY AFTER FINISH. DIMENSIONS ARE IN MILLIMETERS, DIMENSIONS IN BRACKETS ARE INCHES.
- TOLERANCES ARE: X ± 0.5; X.X ± 0.3; X.XX ± .10.

NOTE: UNLESS OTHERWISE SPECIFIED

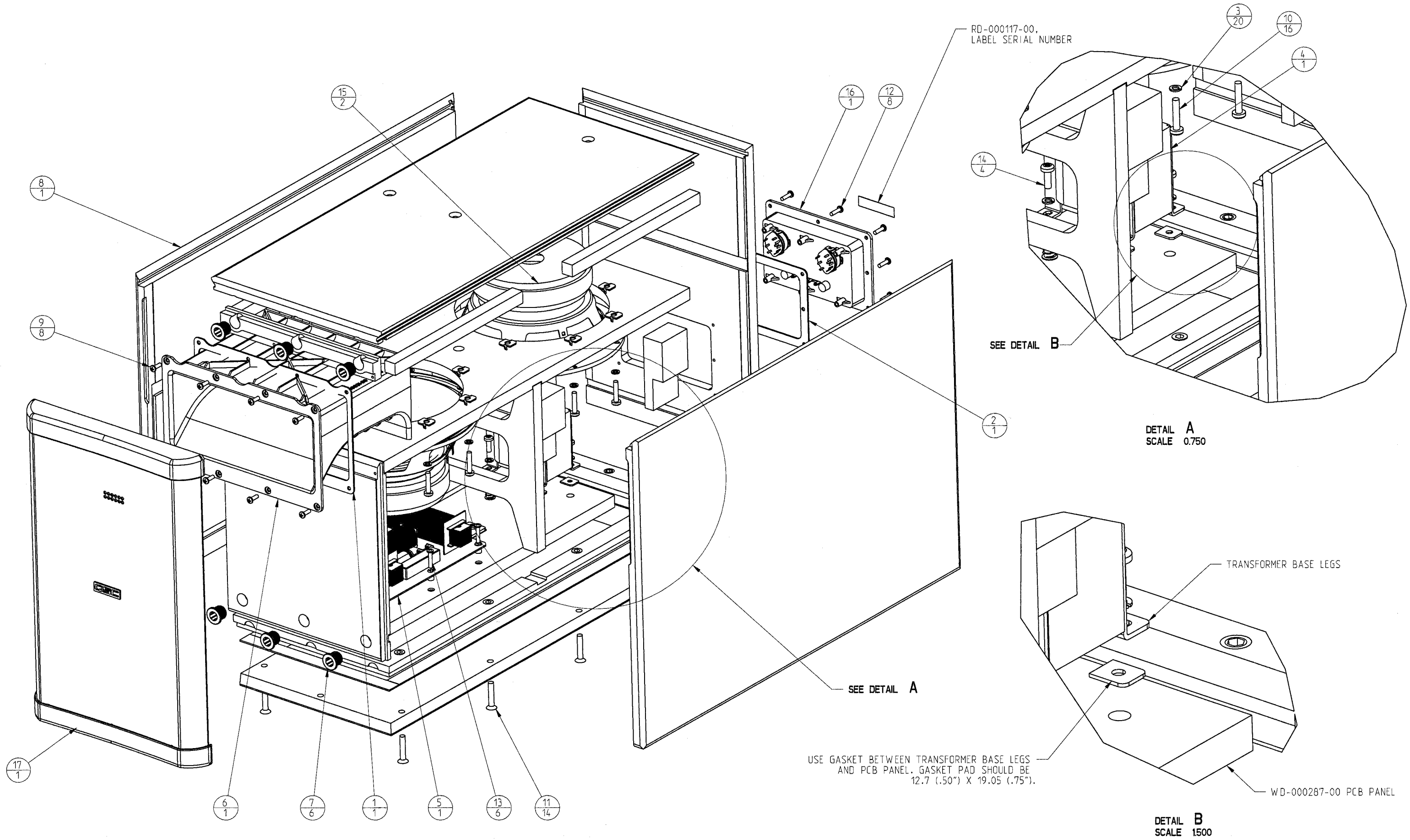
UNLESS OTHERWISE SPECIFIED DIMENSIONS ARE IN INCHES.		CONTRACT NO.		QSC QSC AUDIO PRODUCTS, LLC 1675 MACARTHUR BOULEVARD COSTA MESA, CA 92626	
TOLERANCES ARE: DECIMALS DECIMALS ANGLES .XX ± .02 .XXX ± .010 ± 1/2 DEBURR EDGES .010 R MAX		APPROVALS	DATE	SPEAKER ASSY, AD-S28Tw, BLK	
MATERIAL NONE		DRAWN A. ARANDA	16-Jan-09	SIZE	REV
FINISH NONE		CHECKED M. HARRIS	1-05-09	CAGE CODE	A
DO NOT SCALE DRAWING		WFG ENG S. FELTS	1-05-09	DWG NO.	
		ISSUED D. DELARM	1-16-09	WP-000280-01	
		MODEL INFO WP-000280-01.main.A.0	SCALE 1.000	DRAWING INFO WP-000280-01.A.0	SHEET 1 of 2

Printed from the QSC - Costa Mesa DP System

RELEASED

Printed from the OSC - Costa Mesa DP System

THIS DOCUMENT CONTAINS PROPRIETARY INFORMATION WHICH IS THE PROPERTY OF OSC AUDIO PRODUCTS, THAT MAY NOT BE DISCLOSED, REPRODUCED OR USED WITHOUT EXPRESS WRITTEN CONSENT FROM OSC AUDIO PRODUCTS.



USE GASKET BETWEEN TRANSFORMER BASE LEGS AND PCB PANEL. GASKET PAD SHOULD BE 12.7 (.50") X 19.05 (.75").

SIZE	CAGE CODE	DWG NO.	REV
D	00PW4	WP-000280-01	A
SCALE	0.250	WP-000280-01.A.0	SHEET 2 of 2

RELEASED

WP-000280-xx
AD-S28T

Rev. A 2/12/2009

Part Number	Description	Item No.	Qty
MS-000522-00	GASKET, PORT TUBE, , ,	1	1
MS-000523-00	GASKET, TERMINAL CUP, , ,	2	1
NW-000096-05	WSHR SPLKG, M5, , STL BLK PHOS W/6219 LUBE,	3	20
PA-000214-00	TRANSFORMER, 200W, 70/100V, , ,	4	1
PA-000215-00	PCB ASSY, AD-S28Tw, , ,	5	1
PL-000631-00	PORT, AD-S28Tw, , , ,	6	1
PL-000674-00	RUBBER INSERT, , , , ,	7	6
SC-000213-00	SCR, PHH, PNH, WOOD, , , , M4, 12 L, STL, BLK, ZINC CR3,	9	8
SC-000283-00	SCR, PHH, PNH, MACH, , , , M5, 25 L, CLASS 4.6, BLK, ZINC, CR3	10	16
SC-000285-00	SCR, HEX SKT, FLH, , , , M6, 25 L, STL, BLK, ZINC CR3,	11	14
SC-000290-00	SCR, PHH, PNH, WOOD, , , , M4, 15 L, STL, BLK, ZINC CR3	12	8
SC-000291-00	SCR, PHH, PNH, WOOD, , , , M4, 20 L, STL, BLK, ZINC CR3,	13	6
SC-000297-00	SCR, PHH, PHN, MACH, , , , M5, 15 L, STL CLASS 4.6, BLK, ZINC CR3,	14	4
SP-000178-00	WOOFER, 8", 4 OHM, FERRITE, MEILOON, AD-S28Tw	15	2
WP-000281-00	SPEAKER ASSY, TERMINAL CUP, AD-S28Tw, ,	16	1
WP-000289-00	ASSEMBLY, GRILLE, AD-S28Tw, ,	17	1