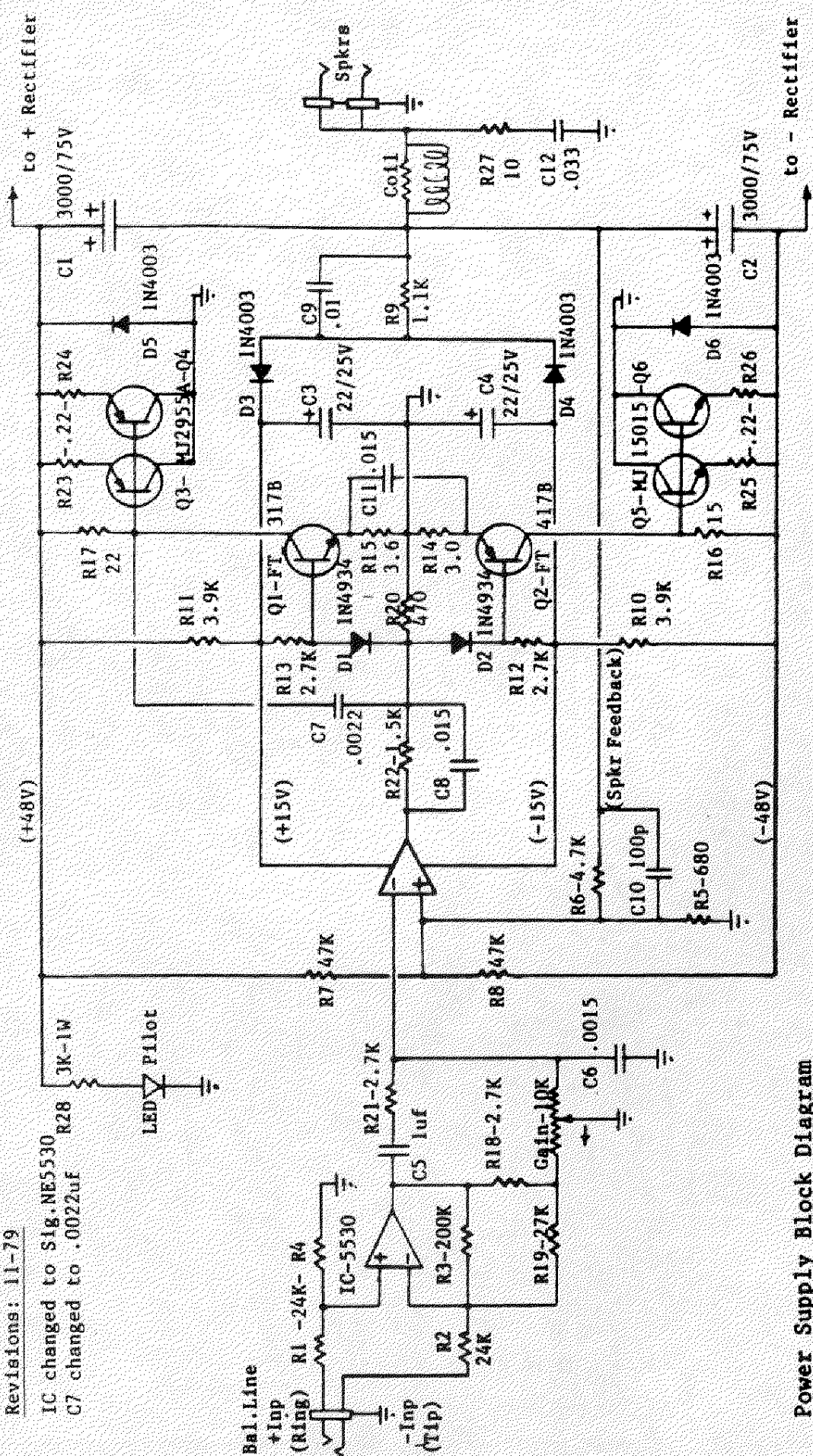


QSC Power Amplifier 5.1

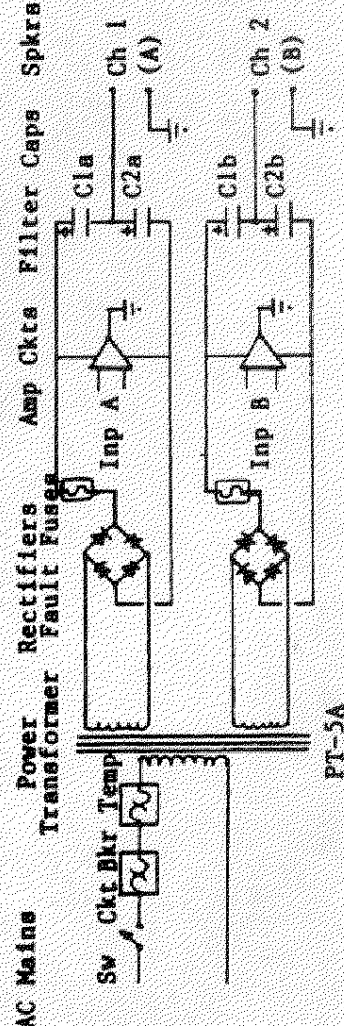
12-9-81

Revisions: 11-79

IC changed to Sig. NE5530
C7 changed to .0022uF



Power Supply Block Diagram



NOTES A5.1

1. One channel shown; Ch 1 - "a" parts, Ch 2 - "b".
2. All resistors in ohms, k-ohms unless shown.
3. All capacitors in uf/100V unless shown
4. All transistors are selected for higher than minimum specs. Replace with QSC parts only.
5. D1, D2 set class-B crossover bias. Forward V = .58
6. Another Crossover test: small notch at 20KHz, 1Vou
7. Blown fault fuse on PCB means shorted output trans
8. Note that Ch 1 (a) and Ch 2 (b) output transistors are "interleaved" for better heat sink sharing. Trace parts carefully.