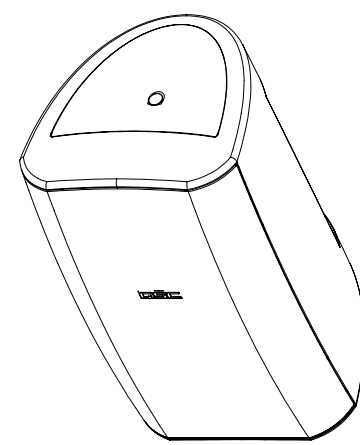
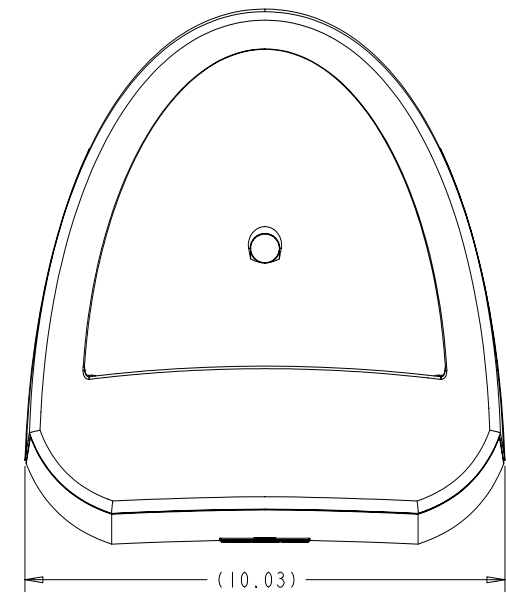
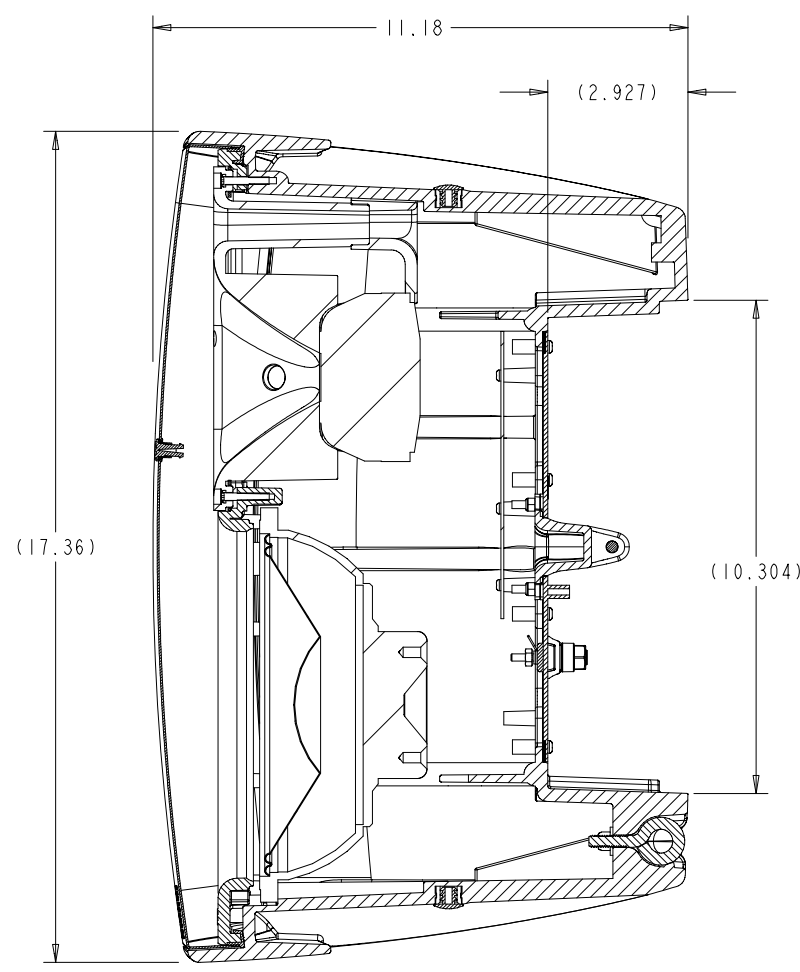
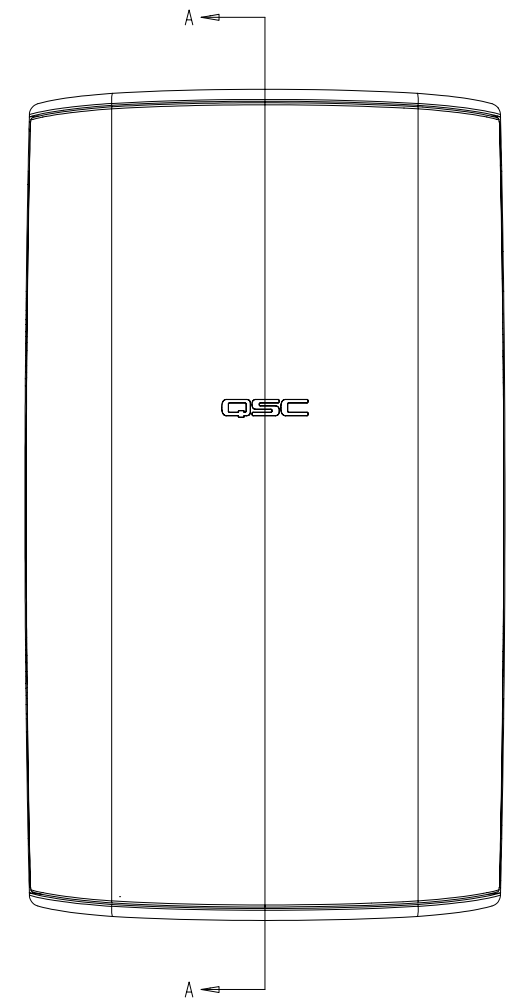


THIS DOCUMENT CONTAINS PROPRIETARY INFORMATION WHICH IS THE PROPERTY OF QSC AUDIO PRODUCTS. IT MAY NOT BE DISCLOSED, REPRODUCED OR USED WITHOUT EXPRESS WRITTEN CONSENT FROM QSC AUDIO PRODUCTS.

REVISIONS				
REV	DESCRIPTION	EFF DATE	CHK	APPROVED DATE
6	ADDED WADDING AND NOTE NO. 6.	20-May-03		
7	ADDED NOTE NO. 7.	18-Jul-03		
A	PROD. RELEASE PER ECO 6469 MP	2-8-05	SE	DD



PART NUMBER	COLOR
WP-000239-01	BLACK
WP-000239-02	WHITE



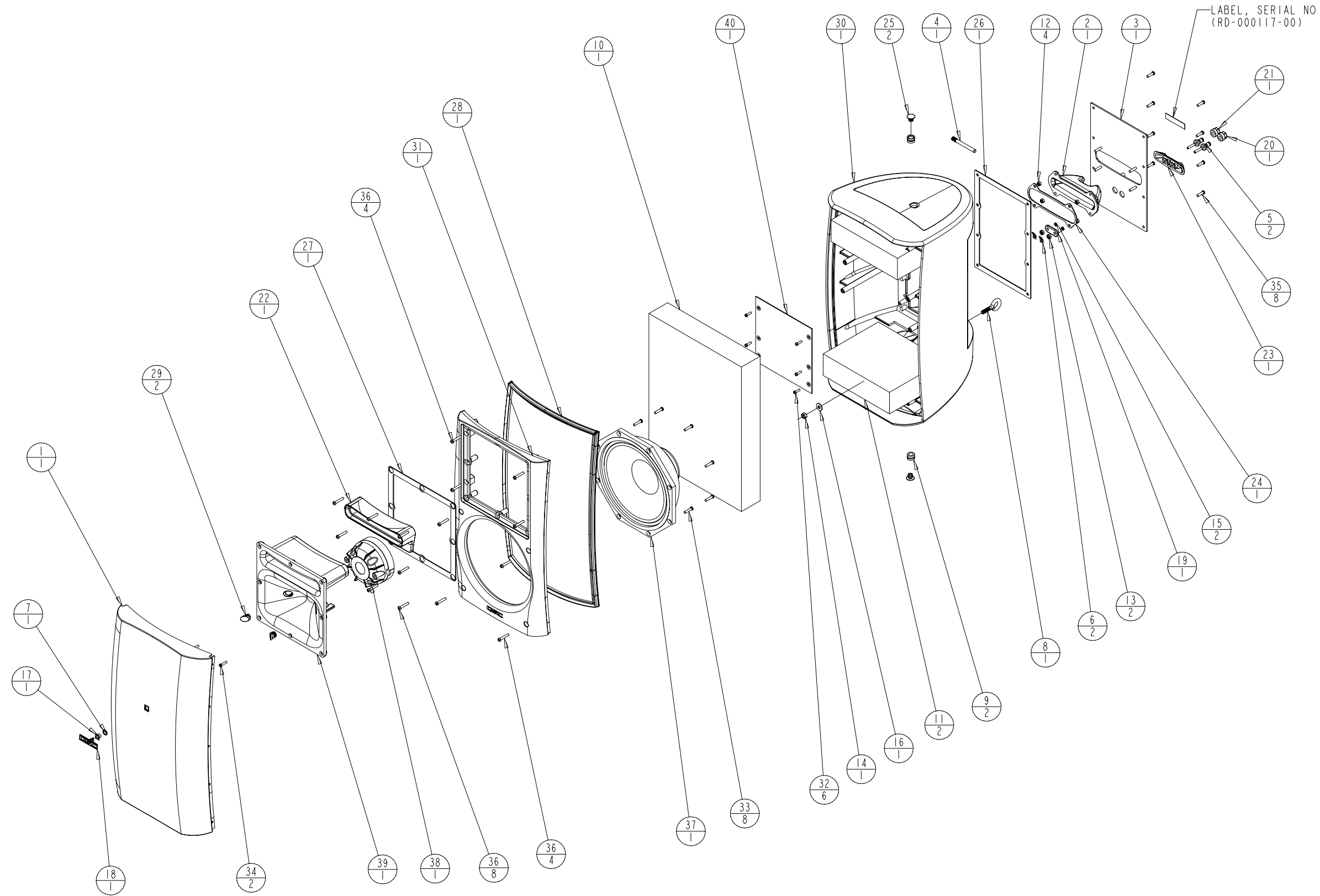
ITEM	PART NUMBER	DESCRIPTION	QTY
40	WP-000109-00	PCB, CROSSOVER, C3-8, HO	1
39	SP-000031-00	WAVE-GUIDE, HI OUTPUT, C3-8	1
38	SP-000021-00	COMPRESSION DRIVER, 1", B&C, DE-10	1
37	SP-000009-00	WOOFER, 8 IN, B&C, NEO	1
36	SC-000011-23	SCREW, PHILLIPS, PANHEAD, M4X1.4, 23 L, BLK	16
35	SC-000011-15	SCREW, PHILLIPS, PANHEAD, M4X1.4, 15 L, BLK	8
34	SC-000004-15	SCREW, PHILLIPS, PANHEAD, M5X0.8, 15 L	2
33	SC-000002-18	SCREW, PHILLIPS, PANHEAD, M4X1.4, 18 L	8
32	SC-000000-12	SCREW, PHILLIPS, PANHEAD, M3.5X1.25, 12 L	6
31	SB-000004-XX	BAFFLE, C3-8	1
30	SB-000003-XX	BUCKET, AD-S82	1
29	PL-000258-00	PLUG, WAVE GUIDE, HI OUTPUT, C3-8	2
28	PL-000239-00	GASKET, BAFFLE, NEOPRENE, BLACK	1
27	PL-000238-00	GASKET, WAVE-GUIDE	1
26	PL-000237-00	GASKET, TERMINAL PLATE	1
25	PL-000236-XX	PLUG, INSERT, .375	2
24	PL-000235-00	GASKET, CATCH	1
23	PL-000217-01	BASE, BINDING POST, C3-8	1
22	PL-000216-XX	FLARE, PORT, C3-8	1
21	PL-000215-02	NUT, WITH INSERT, BINDING POST	1
20	PL-000215-01	NUT, WITH INSERT, BINDING POST	1
19	PL-000214-00	BACKPLATE, BINDING POST	1
18	PL-000213-XX	BADGE, .45 X 1.87	1
17	PL-000212-XX	RECEPTACLE, BADGE	1
16	NW-250520-04	WASHER, M6, SS	1
15	NW-000026-00	WASHER, SPLIT-LOCK, M4, BRASS	2
14	NW-000024-00	LOCKNUT, M6, W/NYLON, SS	1
13	NW-000023-00	NUT, M4 X 0.7, BRASS	2
12	NW-000022-00	LOCKNUT, M4 X 0.7, W/NYLON, SS	4
11	MS-000211-00	FIBERFILL, POLYESTER, 7.1 X 5.9 X 2.0	2
10	MS-000210-00	FIBERFILL, POLYESTER, 13.4 X 9.9 X 2.0	1
9	HW-000060-00	INSERT, M10 X 1, BRASS	2
8	HW-000041-00	EYE BOLT, 6MM, SS	1
7	HW-000040-00	RETAINER, ID, .312	1
6	CO-000297-00	FASTON, MALE, .210 X .032	2
5	CO-000268-00	POST, BINDING	2
4	CH-000276-00	PIN, CATCH, SS	1
3	CH-000220-XX	PLATE, TERMINAL, C3-8	1
2	CH-000219-XX	CATCH, C3-8	1
1	CH-000215-XX	GRILLE, C3-8	1

- COLORS: BLACK PER RD-000120-00, WHITE PER RD-000121-00
- MAXIMUM ALLOWABLE SINKS/BULDGES: .003 INCH
- LOGO ORIENTATION; MAXIMUM ALLOWABLE ANGLE FROM HORIZONTAL: +/- 1 DEGREE
- MAXIMUM ALLOWABLE GAP BETWEEN GRILLE AND BUCKET: .02 INCH
- BUCKET FINISH PER QSC RD-000122-00.
- ASSEMBLE WADDING IN 3 PLACES. APPLY 3M4550 EPOXY TO INSIDE OF BUCKET FOR SECURING 7.1 X 5.9 X 2 WADDING.
- REFERENCE QSC DRIVER SPECIFICATION, WOOFER: RD-000138-00, FOR PERFORMANCE CHARACTERISTICS.

NOTE: UNLESS OTHERWISE SPECIFIED

UNLESS OTHERWISE SPECIFIED DIMENSIONS ARE IN INCHES.		CONTRACT NO.		QSC QSC AUDIO PRODUCTS, INC. 1675 MACARTHUR BOULEVARD COSTA MESA, CA 92626	
TOLERANCES ARE: DECIMALS DECIMALS ANGLES .XX ± .02 .XXX ± .010 ± 1/2 DEBURR EDGES .010 R MAX		APPROVALS	DATE	ASSY, AD-S82H	
MATERIAL: NONE		DRAWN: B. HAWKINS	08-Feb-05	SIZE: D	CAGE CODE: 00PW4
FINISH: NONE		CHECKED: P. WRIGHT	2-07-05	DWG NO.: WP-000239-XX	REV: A
DO NOT SCALE DRAWING		MFG ENG: R. BALTHAZAR	2-7-05	SCALE: 0.500	MODEL INFO: WP-000239-XX.A.0
		ISSUED: D. DELARM	2-08-05	DRAWING INFO: WP-000239-XX.A.0 SHEET 1 of 2	

THIS DOCUMENT CONTAINS PROPRIETARY INFORMATION WHICH IS THE PROPERTY OF OSC AUDIO PRODUCTS. THAT MAY NOT BE DISCLOSED, REPRODUCED OR USED WITHOUT EXPRESS WRITTEN CONSENT FROM OSC AUDIO PRODUCTS.



SCALE 0.250

SIZE	CAGE CODE	DWG NO.	REV
D	00PW4	WP-000239-XX	A
SCALE 0.500		WP-000239-XX.main.A.0	SHEET 2 of 2
DRAWING INFO			

DWG NO. WP-000239-XX  
REV A