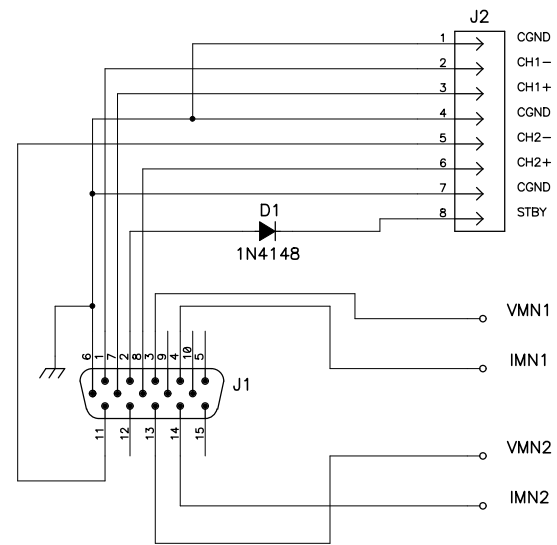


THIS DOCUMENT CONTAINS PROPRIETARY INFORMATION WHICH IS THE PROPERTY OF QSC AUDIO PRODUCTS, THAT MAY NOT BE DISCLOSED, REPRODUCED OR USED WITHOUT EXPRESS WRITTEN CONSENT FROM QSC AUDIO PRODUCTS.

REVISION				
REV	DESCRIPTION	EFF. DATE	CHK	APPROVED/DATE
A	PRODUCTION RELEASE WITHOUT CHANGE PER ECO11793	5-14-12		



PARTS LIST				
UNLESS OTHERWISE SPECIFIED DIMENSIONS ARE IN INCHES. DIMENSIONS PER ANSI Y14.5-1982	CONTRACT NO.		QSC AUDIO PRODUCTS, LLC COSTA MESA, CALIFORNIA	
TOLERANCES ARE: DECIMALS DECIMALS ANGLES .XX ± .02 .XXX ± .010 ± 1/2°	APPROVALS	DATE	SCHEMATIC DIAGRAM INTERFACE MODULE, DDI-3	
DEBURR EDGES .XXX R MAX	DRAWN Thanh Nguyen	8-6-02		
MATERIAL	CHECKED			
FINISH	ISSUED			
DO NOT SCALE DRAWING	CAD SEED FILE NO.		SIZE C FSCM NO. DWG NO. SH-000313-00 REV A	
			SCALE CAD FILE NO. SH-000313-A.sch SHEET 1 OF 1	

1. THIS DRAWING USED IN CONJUNCTION WITH PC-000313-00 AND WP-000313-00.
NOTES: UNLESS OTHERWISE SPECIFIED