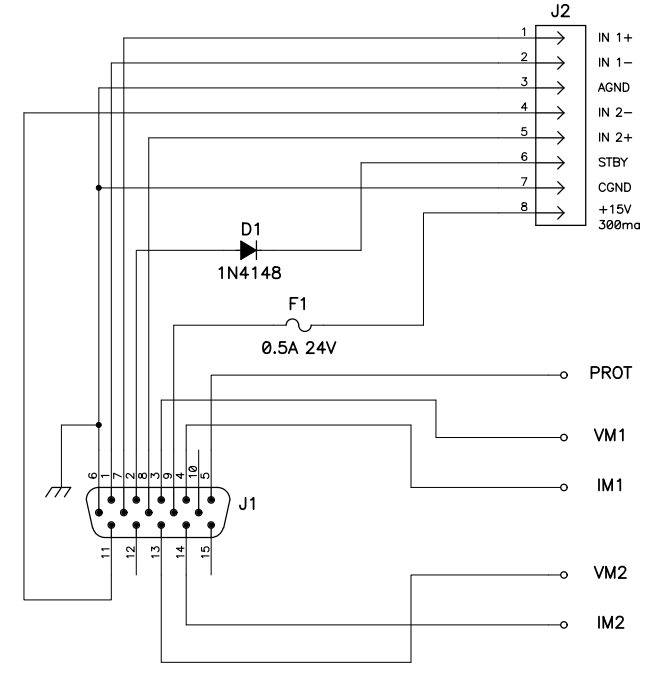


THIS DOCUMENT CONTAINS PROPRIETARY INFORMATION WHICH IS THE PROPERTY OF QSC AUDIO PRODUCTS, THAT MAY NOT BE DISCLOSED, REPRODUCED OR USED WITHOUT EXPRESS WRITTEN CONSENT FROM QSC AUDIO PRODUCTS.

REVISION				
REV	DESCRIPTION	EFF. DATE	CHK	APPROVED/DATE
C	UPDATE DRAWING AND RELEASE TO PRODUCTION	11-11-2011		
D	WAS ORIGINALLY A SERVICE ASSY. MANUFACTURING WILL BE TAKING OVER IN ASSEMBLING THE DDI-11. RELEASE DDI-11 ASSY PARTS TO PRODUCTION PER ECO 11309	11-23-2011	S. MAY	D.D.



3. THIS DRAWING USE IN CONJUNCTION WITH PC-000515-TS AND WP-000515-TS
 2. CAPACITORS ARE IN MICROFARADS
 1. RESISTORS ARE IN OHMS, 1/4W, 5%
 NOTES: UNLESS OTHERWISE SPECIFIED

APPLICATION		USED ON		PARTS LIST		QSC AUDIO PRODUCTS, LLC COSTA MESA, CALIFORNIA	
UNLESS OTHERWISE SPECIFIED DIMENSIONS ARE IN INCHES. DIMENSIONS PER ANSI Y14.5-1982		CONTRACT NO.		APPROVALS		DATE	
TOLERANCES ARE: DECIMALS .XX ± .02 DECIMALS .XXX ± .010 ANGLES ± 1/2°		MATERIAL		DRAWN Thanh Nguyen		11-10-11	
DEBURR EDGES .XXX R MAX		FINISH		CHECKED S. MAY		11-17-11	
NEXT ASSY		USED ON		ISSUED D. DELARM		11-23-11	
DO NOT SCALE DRAWING		SCALE		CAD FILE NO.		SH-000515-TS-D.sch	
				SIZE C		FSCM NO. SH-000515-TS	
				DWG NO.		REV D	
				SHEET		1 OF 1	